

# DP5051TM6S21016 Adjustable Heavy-Duty Doc & Pin (Tapered Face) (Single Connection)

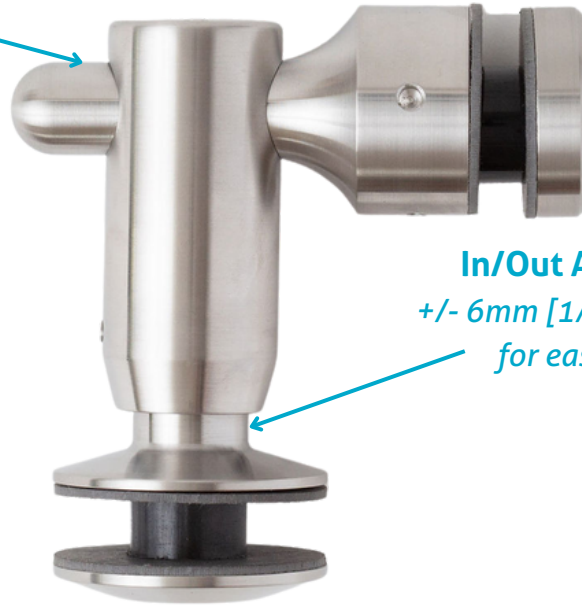
Want to save on-site labour time plus avoid additional shims to accommodate for unexpected uneven mounting surfaces? Maybe you need to add additional slope to your canopy? This Original Design is your solution - it features a doc with in and out 6mm [1/4"] adjustability.

*It's just so dang versatile –*

*It can be used in everything from structural glass walls to balustrades to vestibules and canopies. All these features...and it's priced competitively with similar products without this product's adjustability.*

## Side-to-Side Adjustability

*Doc can slide slightly on pin prior to being locked it in place with set screw. An install bonus if the site conditions differ from your drawings.*



**In/Out Adjustability**  
*+/- 6mm [1/4"] adjustability for ease of install*



## Supplying the Complete Assembly...with Flexible Mounting Options

*Supplied with M12 Stud that can be cut to length (suitable for mount via wood and metal). Complete with gaskets and ferrule bushings for connection to glass, plus via glass. Set screws also included to lock in place.*



Front View

**PRODUCT DATA SHEET**



# DP5051TM6S21016

## Adjustable Heavy-Duty Doc & Pin (Tapered Face) (Single Connection)

### Specifications

- Division:
  - Found in Divisions 05 & 08
- Materials:
  - Steel: Grade 316 stainless steel
  - Finish: No. 4, 320 grit
  - Gaskets: Material based on high-quality aramid fibers and special functional fillers bonded with NBR, sulfur-free, solvent-free
  - Ferrule Bushing: Acetal delrin
- Mount Type: Side mount
- Mounting Structure: Glass, concrete, steel or wood
  - Substrate thickness: 10mm to 16mm [3/8" to 5/8"]
- Loading Capability: 3.5kN
- LEED Standards:
  - Stainless Steel (primary material) - >45% pre-/95% post- consumer recycled content by weight
- Compliances/Standard: Project specific
- Warranty: 2 year limited warranty\* (can be project specific)

### Key Details

<b>Typical Applications</b>	<ul style="list-style-type: none"><li>• <i>Single connection is for end or corner applications; it connects glass to the support structure</i></li><li>• Guards/balustrades</li><li>• Partitions/walls/canopies</li></ul>
<b>Glass Thickness</b>	<ul style="list-style-type: none"><li>• 12mm to 21.5mm [1/2" to 7/8"]</li></ul>
<b>Recommended Diameter Hole In Glass</b>	<ul style="list-style-type: none"><li>• Min - 22.2mm [7/8"]</li><li>• Rec - 25.4mm [1"]</li><li>• Max - 28.6mm [1 1/8"]</li></ul>
<b>Key Measurements</b>	<ul style="list-style-type: none"><li>• Cap Face Diameter - 50mm [2"]</li><li>• M12 x 1.75 (40mm) for Pin and M8 x 1.25 Flat Head (35mm) for Doc</li></ul>
<b>Key Distances</b>	<ul style="list-style-type: none"><li>• Centre of Pin to the underside of glass - 77mm [3"] +/- 6mm [1/4"]</li><li>• Centre of Doc to mounting surface - 60mm [2 3/8"]</li></ul>
<b>Tool Info</b>	<ul style="list-style-type: none"><li>• Specialized - Stella C-Spanner</li><li>• General - Allen Key (5mm)</li></ul>

A Stella Standard Part "SKU 1187277" Exclusively Distributed via

**BRAFASCO** **NATIONAL** **BROCKWHITE**  
Concrete Accessories  
WHITE CAP COMPANIES

[www.stellaglasshardware.com](http://www.stellaglasshardware.com)