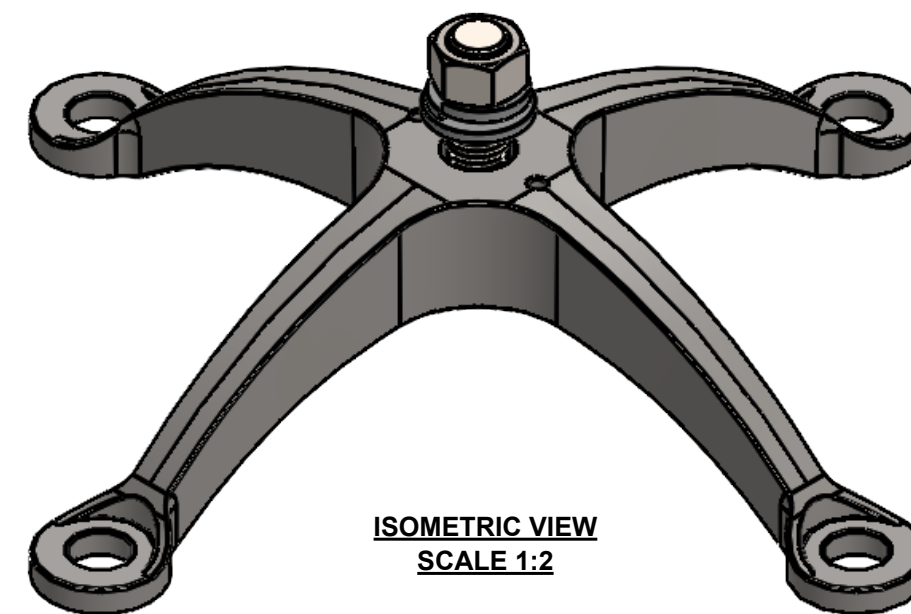
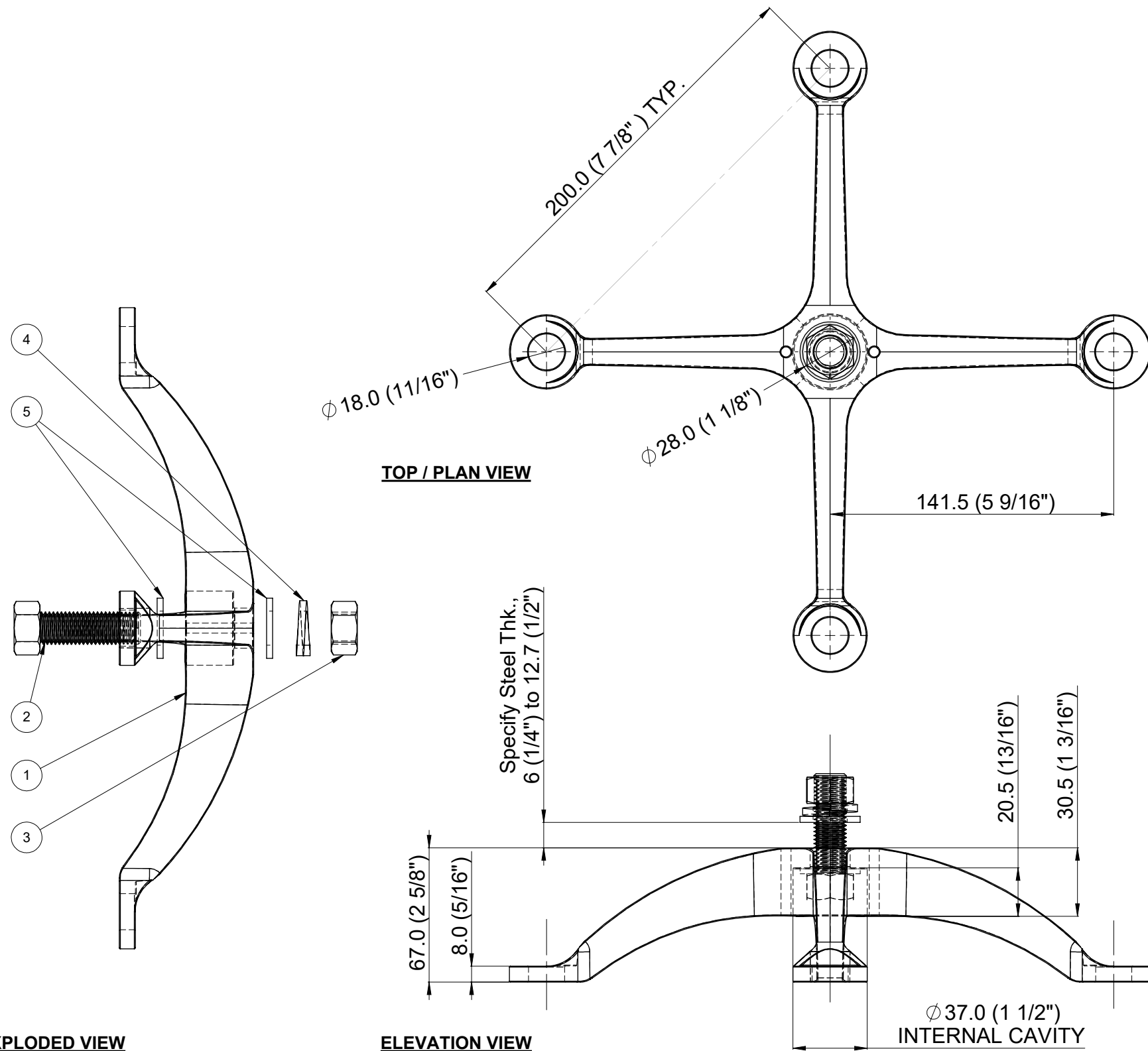


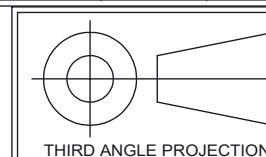
ITEM NO.	PART NUMBER	DESCRIPTION	MATERIAL	FINISH	QTY.
1	SS204	FOUR ARM FACE MOUNTED S20 SPIDER	GD316 SS	BRUSHED #4	1
2	HB-M16x50	Hex Bolt M16x50	A2-70 (18-8)	EX WORKS	1
3	Hex Nut M16	Hex Nut M16	A2-70 (18-8)	EX WORKS	1
4	SW-M16	LOCK WASHER M16	A2-70 (18-8)	EX WORKS	1
5	HN - M16	WASHER FLAT M16	A2-70 (18-8)	EX WORKS	2



GENERAL TOLERANCES (mm) UNLESS SPECIFIED								
LINEAR DIMENSION TOLERANCES (ISO 2768 - FINE)								
NOM. DIMENSION	0.5 TO 3	3 TO 6	6 TO 30	30 TO 120	120 TO 400	400 TO 1000	1000 TO 2000	2000 TO 4000
TOLERANCE	$\pm 0.05$	$\pm 0.05$	$\pm 0.1$	$\pm 0.15$	$\pm 0.2$	$\pm 0.3$	$\pm 0.5$	-
ANGULAR DIMENSION TOLERANCES (ISO 2768 - FINE)					EXT. RADIUS / CHAMFER HEIGHTS (ISO 2768 - FINE)			
NOM. DIMENSION	0 TO 10	10 TO 50	50 TO 120	120 TO 400	NOM. DIMENSION	0.5 TO 3	3 TO 6	OVER 6
TOLERANCE	$\pm 1^\circ$	$\pm 0'30''$	$\pm 0'20''$	$\pm 0'10''$	TOLERANCE	$\pm 0.2$	$\pm 0.5$	$\pm 1.0$

**\*\* NOTE: SUGGESTED PAIRING - STELLA ARTICULARING BOLTS \*\***

**ASSEMBLY DRAWING - SKU #SS204FTNHH6S013**  
**FOUR ARM FACE MOUNTED S20 SPIDER - SS204FT:**  
 100mm [3 15/16"] LONG SPIDER FITTING w/ BRUSHED #4 FINISH  
 (INCLUDES M16 HEX BOLT & NUT, FLAT & LOCK WASHERS)



SCALE  
1:1  
DWG No  
**SS204FTNHH6S013**

