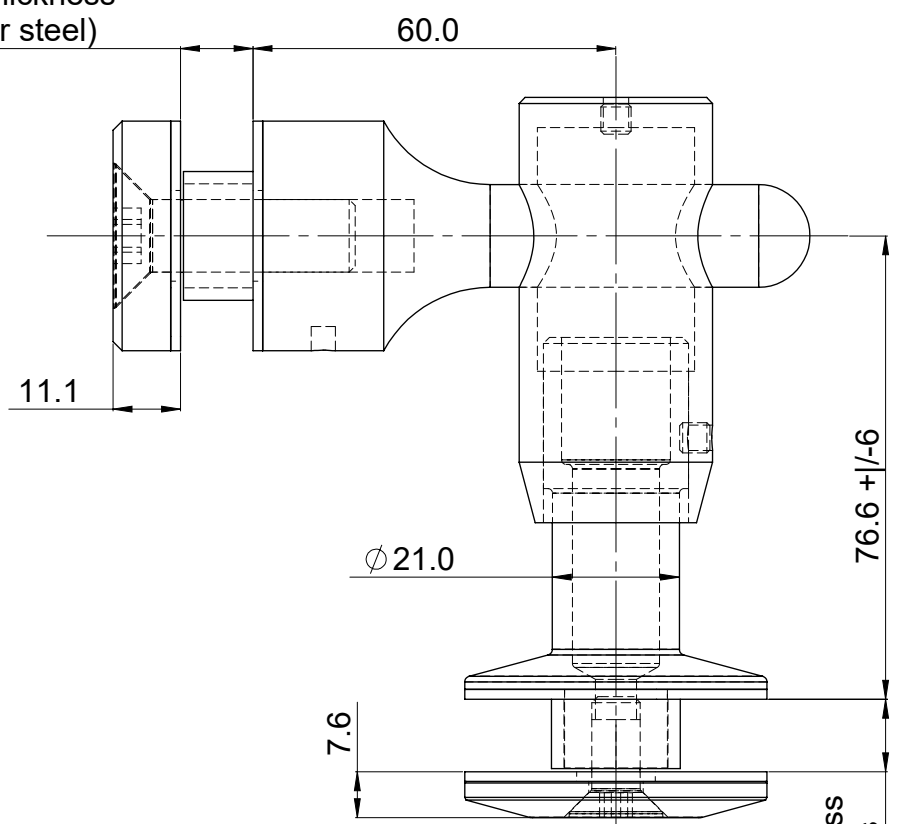
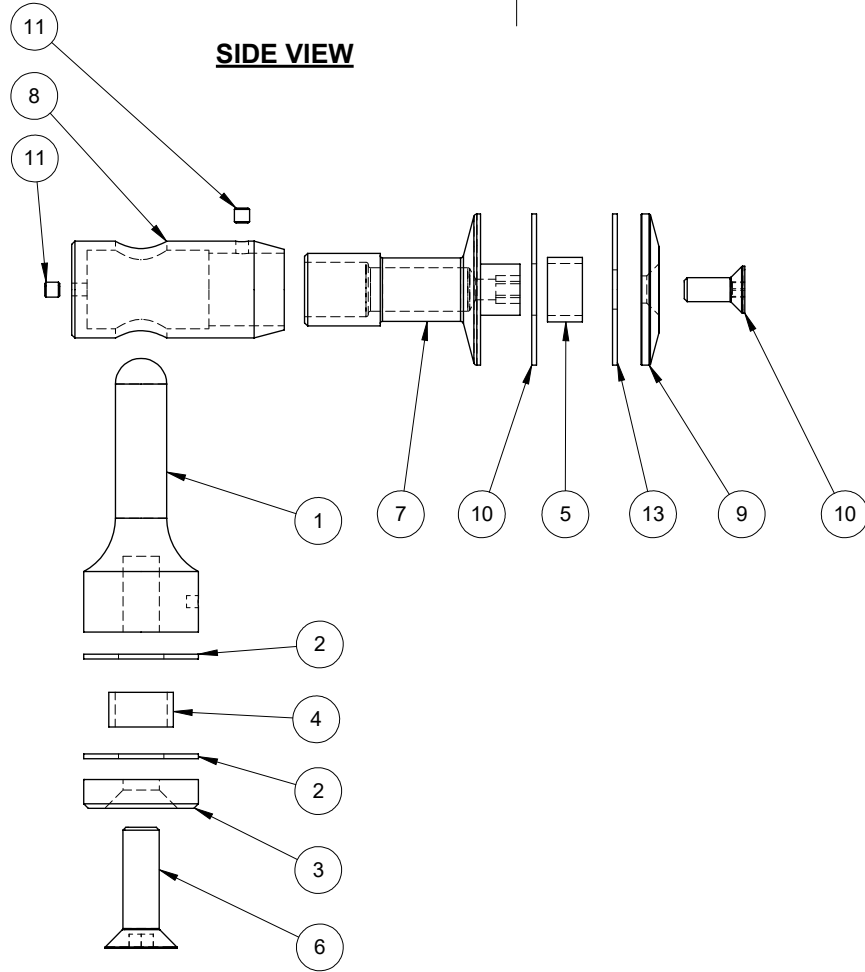


HOLE IN GLASS:
 MIN. = 22.2mm (7/8")
 RECOMMEND = 25.4MM (1")
 MAX. = 28.6mm (1 1/8")

Specify thickness
(glass or steel)

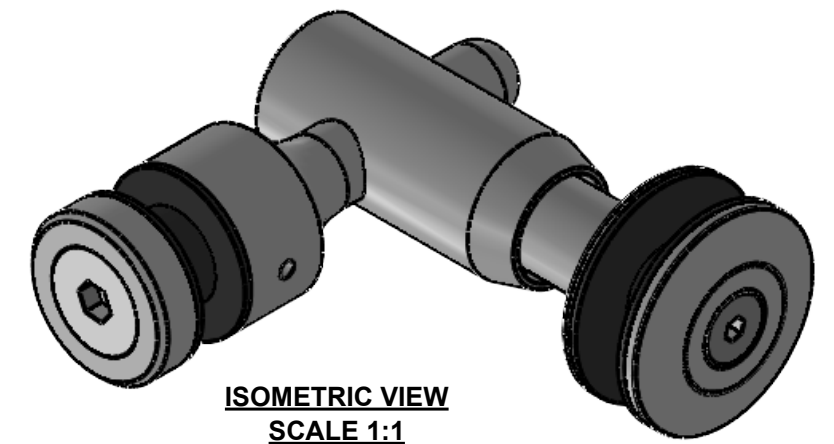


TOP / PLAN VIEW



EXPLODED VIEW

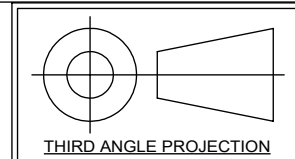
FRONT VIEW



**ISOMETRIC VIEW
SCALE 1:1**

ITEM NO.	PART NUMBER	DESCRIPTION	QTY.
1	DP2-P01	PIN CONNECTOR	1
2	DP1-P06	GASKET FOR PIN	2
3	DP1-P02	END CAP	1
4	NB4-P05A	NYLON FERRULE	1
4	NB4-P05B	NYLON FERRULE	1
6	FHCS M12X40	M12 FLAT HEAD CAP SCREW	1
7	DP9-P04A	ADJUSTABLE DOC BACK	1
8	DP9-P04B	ADJUSTABLE DOC FRONT	1
9	NB1-P01	FRONT CAP	1
10	CAP SCREW FLAT HD M8X35	M8 FLAT HEAD CAP SCREW	1
10	NB4-P14	GASKET FOR GLASS	1
11	SSS M5X5	M5 SET SCREW	2
13	NB4-P13	GASKET FOR GLASS	1

GENERAL TOLERANCES (mm) UNLESS SPECIFIED								
LINEAR DIMENSION TOLERANCES (ISO 2768 - FINE)								
NOM. DIMENSION	0.5 TO 3	3 TO 6	6 TO 30	30 TO 120	120 TO 400	400 TO 1000	1000 TO 2000	2000 TO 4000
TOLERANCE	±0.05	±0.05	±0.1	±0.15	±0.2	±0.3	±0.5	-
ANGULAR DIMENSION TOLERANCES (ISO 2768 - FINE)					EXT. RADIUS / CHAMFER HEIGHTS (ISO 2768 - FINE)			
NOM. DIMENSION	0 TO 10	10 TO 50	50 TO 120	120 TO 400	NOM. DIMENSION	0.5 TO 3	3 TO 6	OVER 6
TOLERANCE	±1°	±0°30'	±0°20'	±0°10'	TOLERANCE	±0.2	±0.5	±1.0



SCALE	1:1
DWG No	DP5051TM6S21016



ASSEMBLY DRAWING - SKU #DP5051TM6S21016
SINGLE ARM ADJUSTABLE DOC & PIN - DP5051:
 50mm [2"] DIA. TAPERED FACE ADJUSTABLE w/ FINE MACHINED FINISH
 (INCLUDES M12 & M8 FHCS, FERRULES & GASKETS)

This drawing is the property of Stella Custom Glass Hardware Inc and may not be copied or reproduced in any way whatsoever without written permission of that company