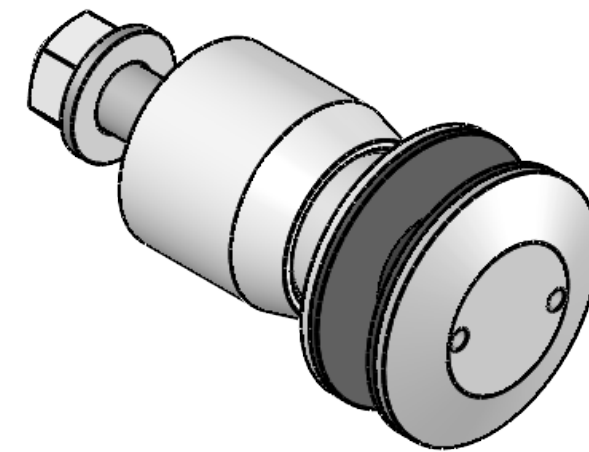
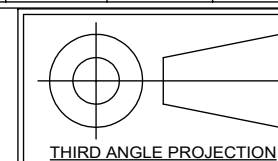


ITEM NO.	PART NUMBER	DESCRIPTION	QTY.
1	ST503-P03	Threaded back plate 50mm dia	1
2	ST503-P04	Internal thread standoff 38mm dia	1
3	ST43-P01	Front plate 50mm dia	1
4	NB4-P13	GASKET FOR GLASS	1
5	NB4-P14	GASKET FOR GLASS	1
6	NB4-P05b	NYLON FERRULE	1
7	Hex nut M12	Nut	1
8	M5 SSS	M5 Socket Set Screw	1
9	Cap screw socket hd M12x45	M12 Cap Screw x 45mm Long	1
10	Washer M12SS	Washer	2
11	Washer M12SS - Lock	Lock Washer	1
12	NB4-P05a	NYLON FERRULE	1

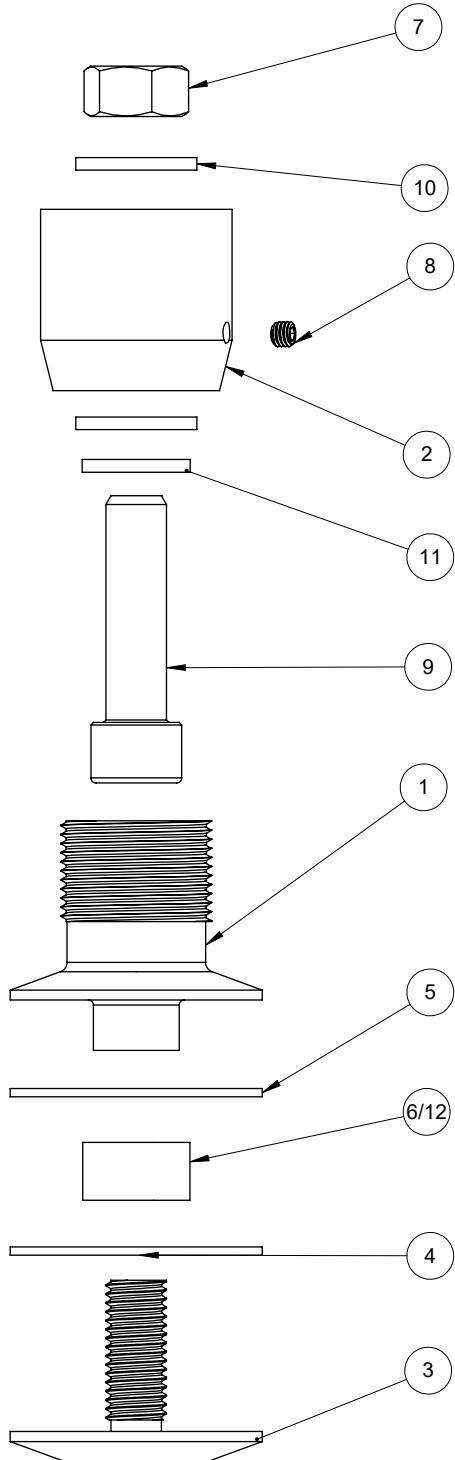


**ISOMETRIC VIEW**  
**SCALE 1:1**

GENERAL TOLERANCES (mm) UNLESS SPECIFIED								
LINEAR DIMENSION TOLERANCES (ISO 2768 - FINE)								
NOM. DIMENSION	0.5 TO 3	3 TO 6	6 TO 30	30 TO 120	120 TO 400	400 TO 1000	1000 TO 2000	2000 TO 4000
TOLERANCE	±0.05	±0.05	±0.1	±0.15	±0.2	±0.3	±0.5	-
ANGULAR DIMENSION TOLERANCES (ISO 2768 - FINE)					EXT. RADIUS / CHAMFER HEIGHTS (ISO 2768 - FINE)			
NOM. DIMENSION	0 TO 10	10 TO 50	50 TO 120	120 TO 400	NOM. DIMENSION	0.5 TO 3	3 TO 6	OVER 6
TOLERANCE	±1°	±0°30'	±0°20'	±0°10'	TOLERANCE	±0.2	±0.5	±1.0

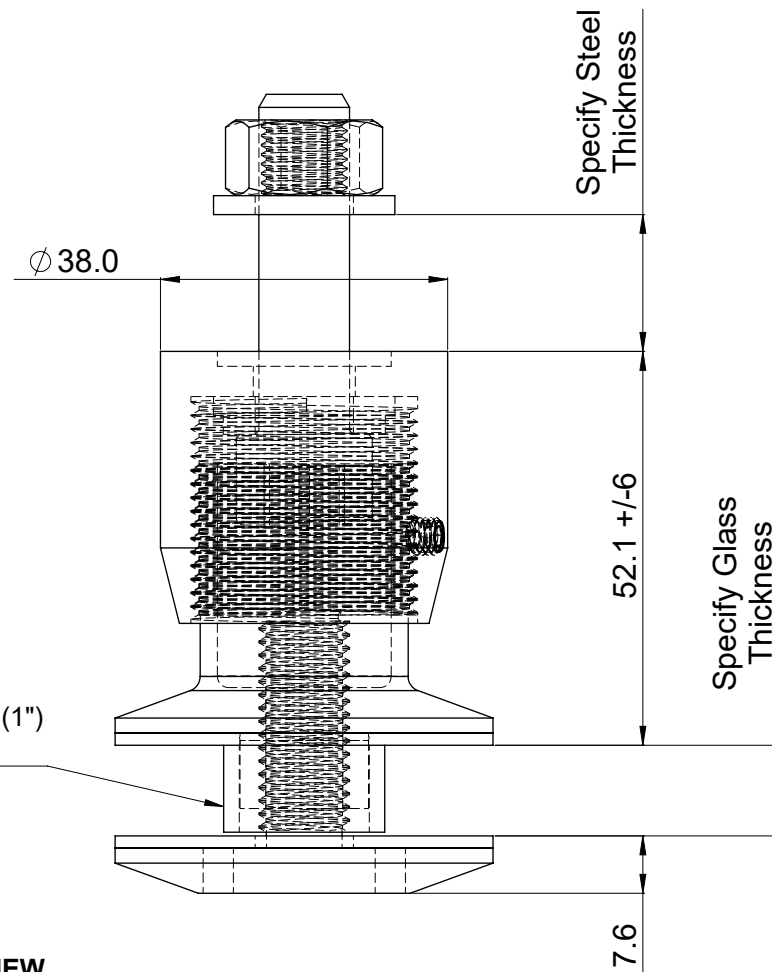


UNIT 105-8218 NORTH FRASER WAY, BURNABY, BC, V3N 0E9  
TEL (604) 231 5892 [WWW.STELLAGLASSHARDWARE.COM](http://WWW.STELLAGLASSHARDWARE.COM)

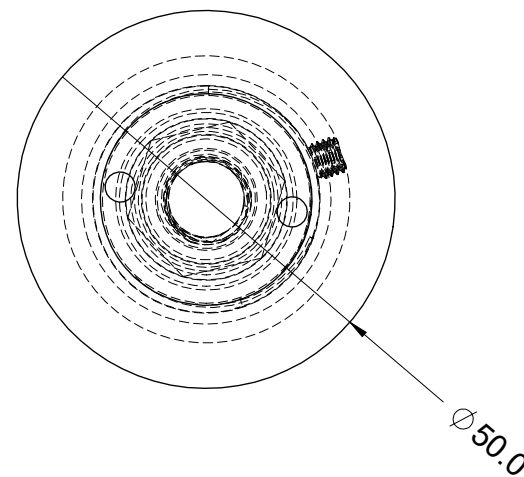


**EXPLODED VIEW**

**HOLE IN GLASS:**  
MIN. = 22.2mm (7/8")  
RECOMMEND = 25.4MM (1")  
MAX. = 28.6mm (1 1/8")



**TOP / PLAN VIEW**



**FRONT VIEW**

**ASSEMBLY DRAWING - SKU #ST503TH6S25013**

**ADJUSTABLE STANDOFF - ST503T:**  
50mm [2"] DIA. TAPERED FACE ADJUSTABLE w/ FINE MACHINED FINISH  
(INCLUDES M12 SHCS W/ WASHERS & HEX NUT, FERRULE & GASKETS)

SCALE

1:1

DWG No

**ST503TH6S25013**