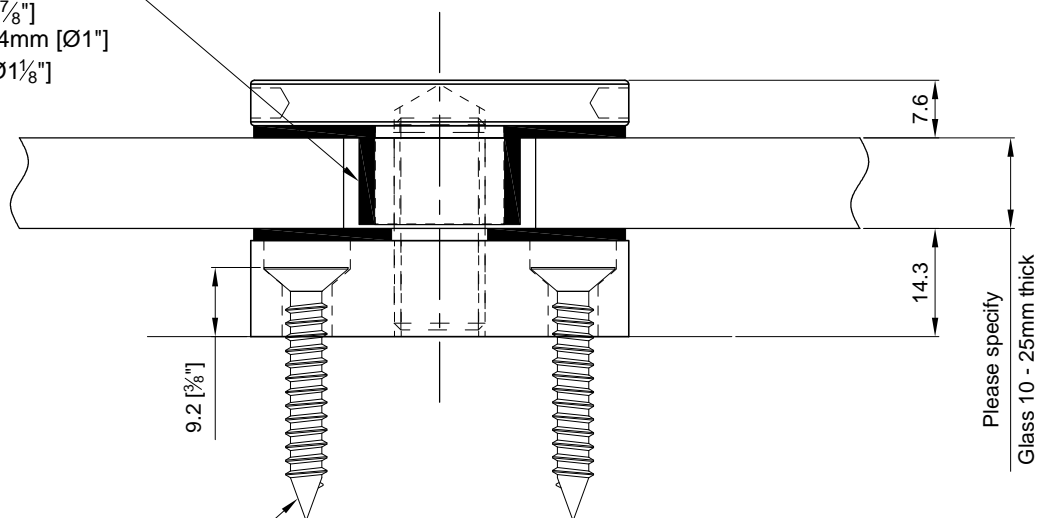


Hole in glass
 min. $\text{Ø}22.2\text{mm}$ [$\text{Ø}\frac{7}{8}\text{''}$]
 recommend $\text{Ø}25.4\text{mm}$ [$\text{Ø}1\text{''}$]
 max. $\text{Ø}28.6\text{mm}$ [$\text{Ø}1\frac{1}{8}\text{''}$]



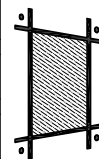
(4) #10 or #12 Flat Head
 Wood Screws (by others)

Please specify
 Glass 10 - 25mm thick

Quantity: Sets
 Material: Grade 316 Stainless steel
 Finish: Machined

Hole in glass see above
 Dimensions millimeter unless otherwise shown
 Loctite Type 243 all threads during site installation (B.O.)
 4mm hole can be tighten w/ adjustable pin spanner
 (Ref. SPA-01)
 Subject to change

Drawn	TC	Drawn date	OCT 04-12
Checked		Checked date	
Scale	1:1	Rev.	-
DWG No	ST507F-W		



stella

[t] (604) 231 5892
 [f] (604) 231 5893
 [e] info@stellaglasshardware.com

ASSEMBLY DRAWING
50mm DIAMETER STANDOFF TO MOUNT TO WOOD
FLAT FACE