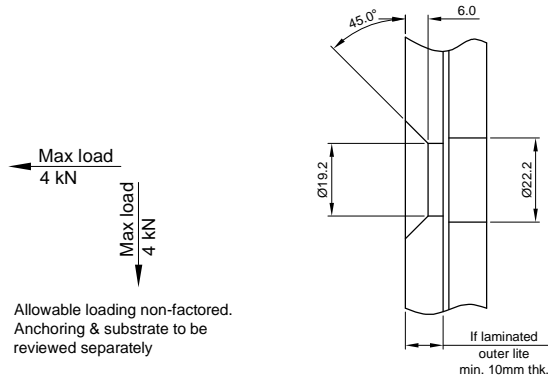


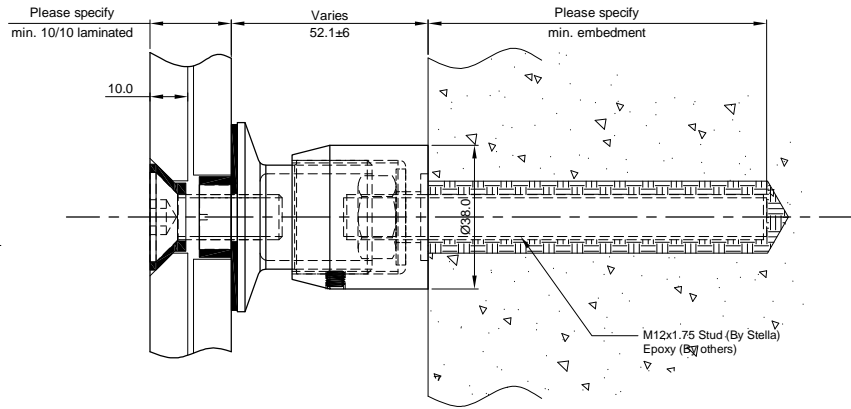
	Countersunk fastening
Embedded into concrete	ST503C-C
Penetrated into wood	ST503C-W
Post mounted	ST503C-S

REV 1 - Hex bolt changed to socket head cap screw - APR 30-2012
 REV 2 - NB4-P09.1 changed to 3/8" Lag bolt x 5" lg. - MAR 5-2013
 REV 3 - Loads added, notes added & removed - OCT 7-2013



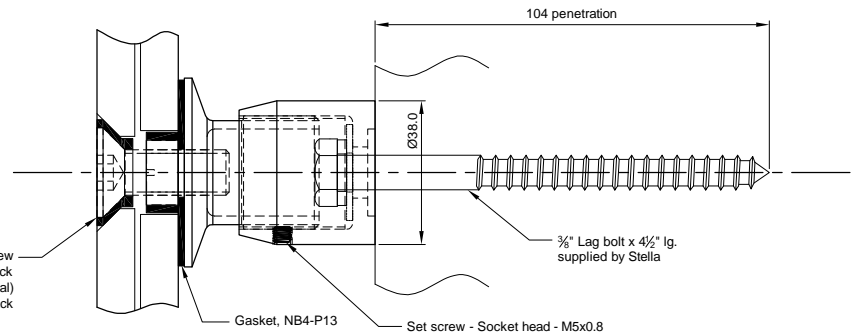
DETAIL OF COUNTERSUNK HOLE

EMBEDDED INTO CONCRETE (STANDARD) ST503C-C

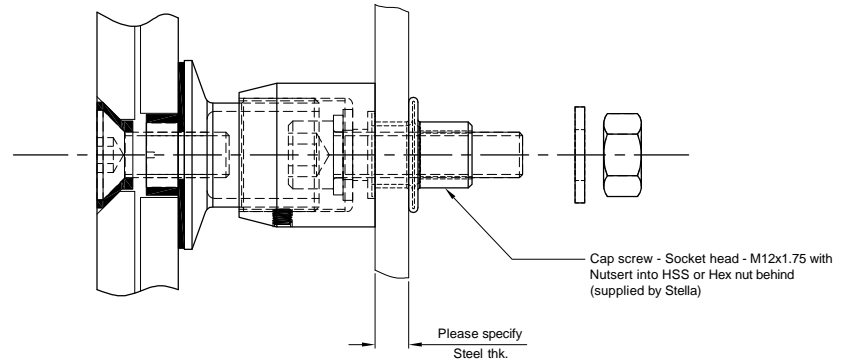


PENETRATED INTO WOOD (OPTION) ST503C-W

M12 Flat head cap screw
 NC4-P04 Countersunk insert - Black (white optional)
 NB4-P05c Ferrule, black



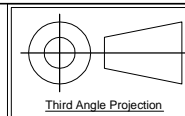
POST MOUNTED (OPTION) ST503C-H (WITH HEXNUT) ST503C-O (DRILL & TAP) ST503C-N (WITH NUTSERT)



ORDERING INFORMATION

(please check)	
Embedded into concrete (std)	
Penetrated into wood (option)	
Post mounted (option)	
Glass thickness ____ mm	
Steel thickness ____ mm	
APPROVAL	
CUSTOMER APPROVAL	
(PLEASE SIGN)	
DATE:	DATE

Hole in glass: see countersink detail above
 Dimensions millimeter unless otherwise shown
 Apply loctite 243 to all threads during assembly
 (To increase curing speed, please apply activator 7649)
 Details are typical and are subject to change to meet project requirement



Drawn	Drawn date
JH	MAR 30-11
Approved	Approved date
-	-
Scale	Rev.
1:2	3
DWG No	
ST503C	

stella
 [t] (604) 231 5892
 [f] (604) 231 5893
 [e] info@stellaglasshardware.com

**ASSEMBLY DRAWING
 ADJUSTABLE STANDOFF WITH COUNTERSUNK BOLT**