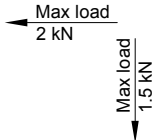
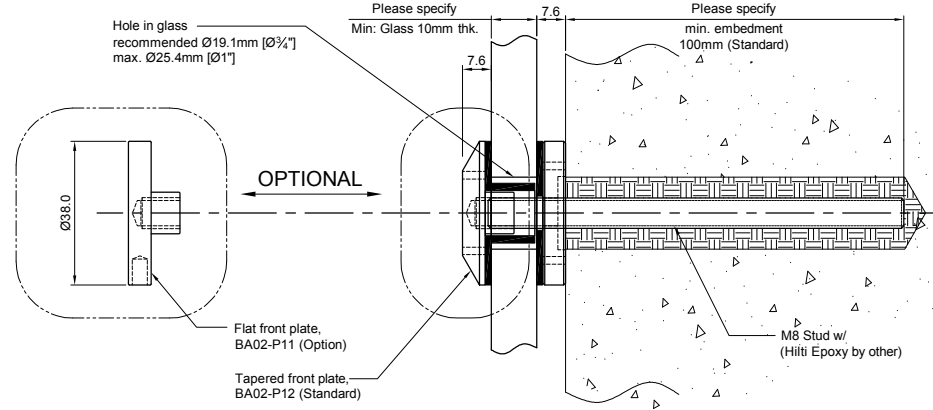


Mounting Options	Tapered front plate	Flat front plate
Embedded into concrete	ST382T-C	ST382F-C
Mounted into wood	ST382T-W	ST382F-W
Nutsert to HSS	ST382T-N	ST382F-N
Stud to Steel	ST382T-S	ST382F-S
Steel with hex nut	ST382T-H	ST382F-H
Machined cap nut	ST382T-M	ST382F-M

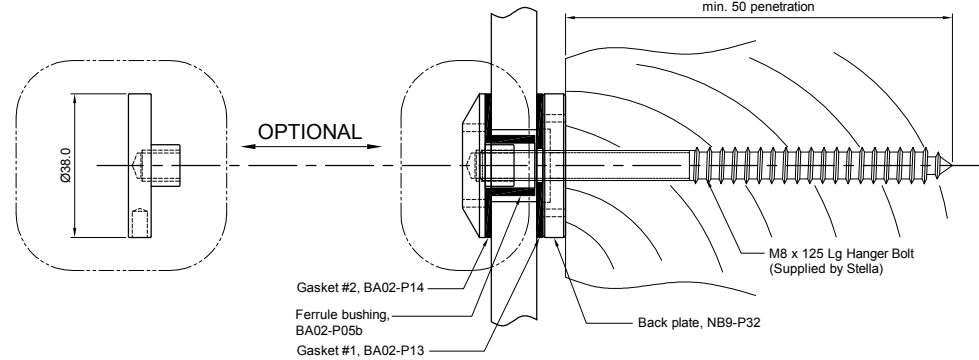


Allowable loading non-factored.
Anchoring & substrate to be reviewed separately

EMBEDDED INTO CONCRETE (STANDARD)
ST382-C



PENETRATED INTO WOOD (OPTION)
ST382-W

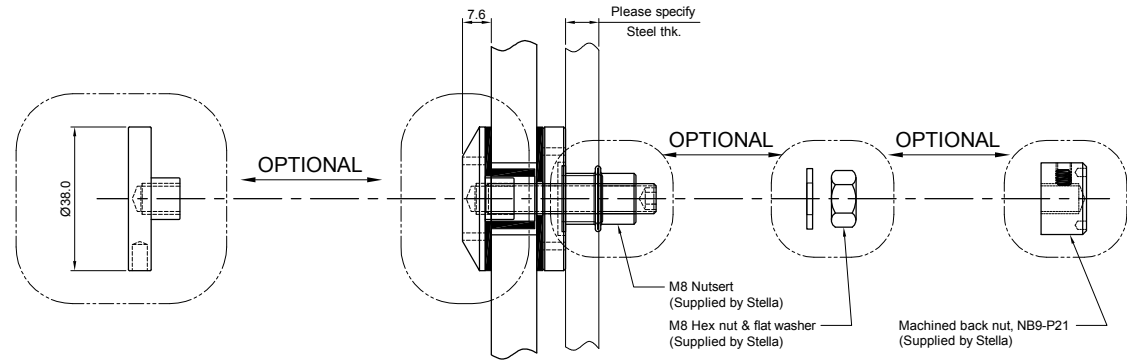


ORDERING INFORMATION

(please check)

Embedded into concrete (std)	
Penetrated into wood (option)	
Post mounted (option)	
Tapered front cap (std)	
Flat front-cap (option)	

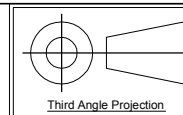
POST MOUNTED (OPTION)
ST382-S (W/ STEEL)
ST382-N (W/ NUTSERT)
ST382-H (W/ HEX NUT)
ST382-M (W/ MACHINED NUT)



Glass thickness ____ mm	
Steel thickness ____ mm	
APPROVAL	
CUSTOMER APPROVAL	
(PLEASE SIGN)	
DATE:	DATE

Quantity: Sets
Material: Grade 316 Stainless steel
Finish: Fine machined

Hole in glass see above
Dimensions millimeter unless otherwise shown
Apply loctite 243 to all threads during assembly
(To increase curing speed, please apply activator 7649)
Details are typical and are subject to change to meet project requirement



Drawn	Drawn date
JH	JUN 20-2013
Approved	Approved date
-	-
Scale	Rev.
1:2	-
DWG No	
ST382	

[t] (604) 231 5892
[f] (604) 231 5893
[e] info@stellaglasshardware.com

ASSEMBLY DRAWING
NON-ARTICULATING STANDOFF ST382