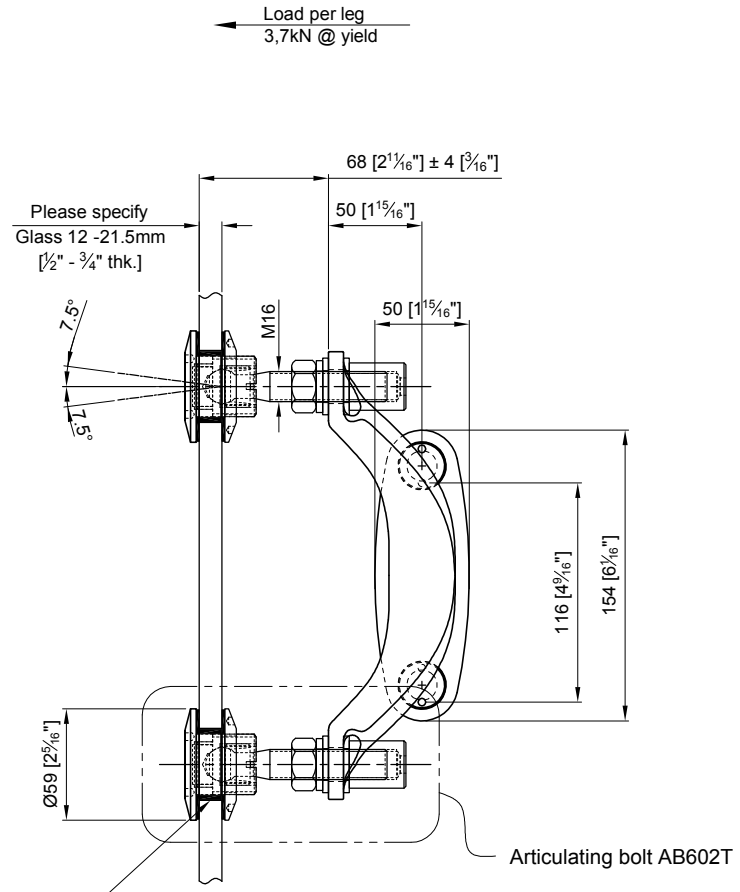


FRONT VIEW



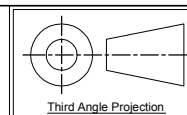
SIDE VIEW

Thru hole in glass:
 min: Ø38.1mm [Ø1 1/2"]
 recommended: Ø41.3mm [Ø1 5/8"]
 max: Ø44.5mm [Ø1 3/4"]

APPROVAL
DATE

Quantity: Sets
 Material: Grade 304/316 Stainless steel
 Finish: Spider: Satin; Glass bolt: Machined

Hole in glass see above
 Dimensions millimeter unless otherwise shown
 Apply loctite 243 to all threads during assembly
 (To increase curing speed, please apply activator 7649)
 Details are typical and are subject to change to meet project requirement



Drawn	Drawn date
JH	JAN 17-2013
Approved	Approved date
Scale	Rev.
1:4	-
DWG No	
SS202SV-AB602T	

[t] (604) 231 5892
 [f] (604) 231 5893
 [e] info@stellaglasshardware.com

ASSEMBLY DRAWING
SS202SV TWO ARM "V" SHAPED SIDE MOUNTED SPIDER W/ ARTICULATING BOLT AB602T