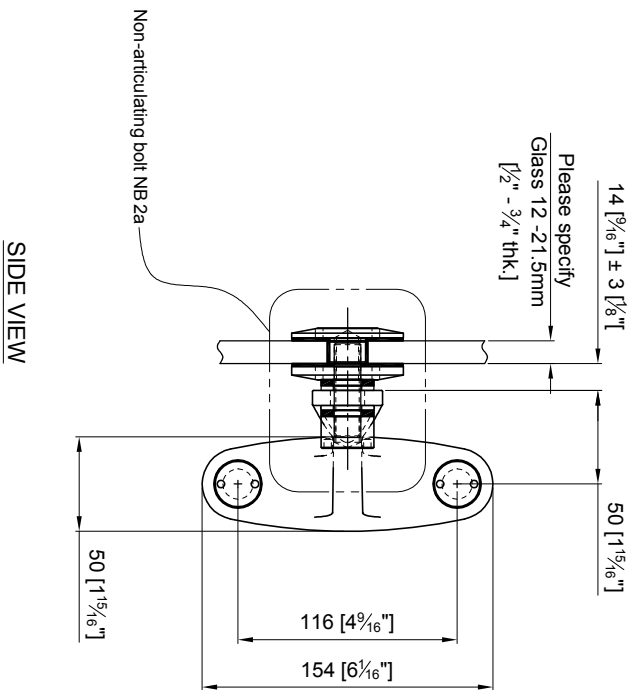
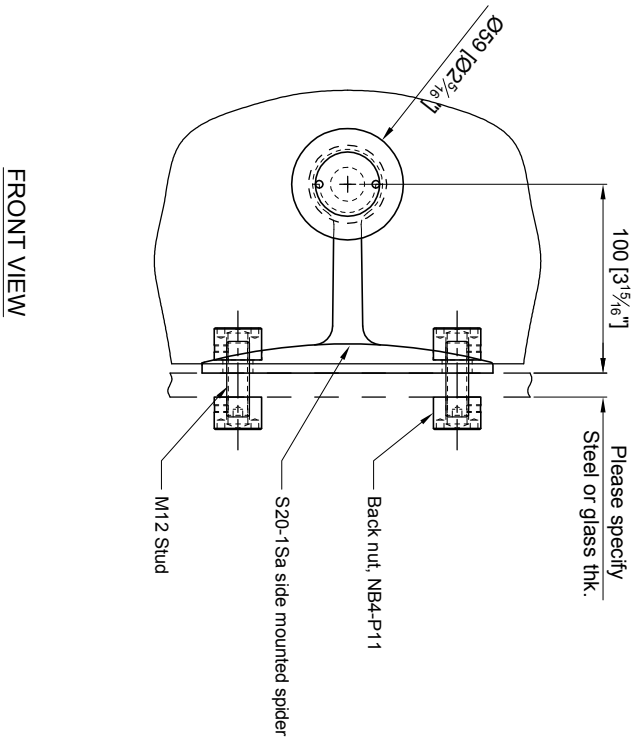


Load per leg  
1,5kN @ yield

Load per leg  
3,7kN @ yield



FRONT VIEW

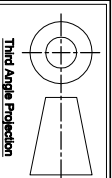
SIDE VIEW

APPROVAL

DATE

**Quantity:** Sets  
**Material:** Grade 304/316 Stainless steel  
**Finish:** Spider: Satin; Glass bolt: Machined

Hole in glass min. Ø22,2mm [Ø 7/8\"/>



Drawn	Drawn date
JH	NOV 18-09
Approved	Approved date
RL	NOV 18-09
Scale	Rev.
1:4	-
DWG No	
SS201ST-NB601T	

**ASSEMBLY DRAWING**  
**S20-1Sa SIDE MOUNTED SPIDER W/ NON-ARTICULATING BOLT NB2a**  
**FORMALLY S20-1Sa-NB2a**

*This drawing is the property of Stella Custom Glass Hardware Inc and may not be copied or reproduced in any way whatsoever without written permission of that company*

