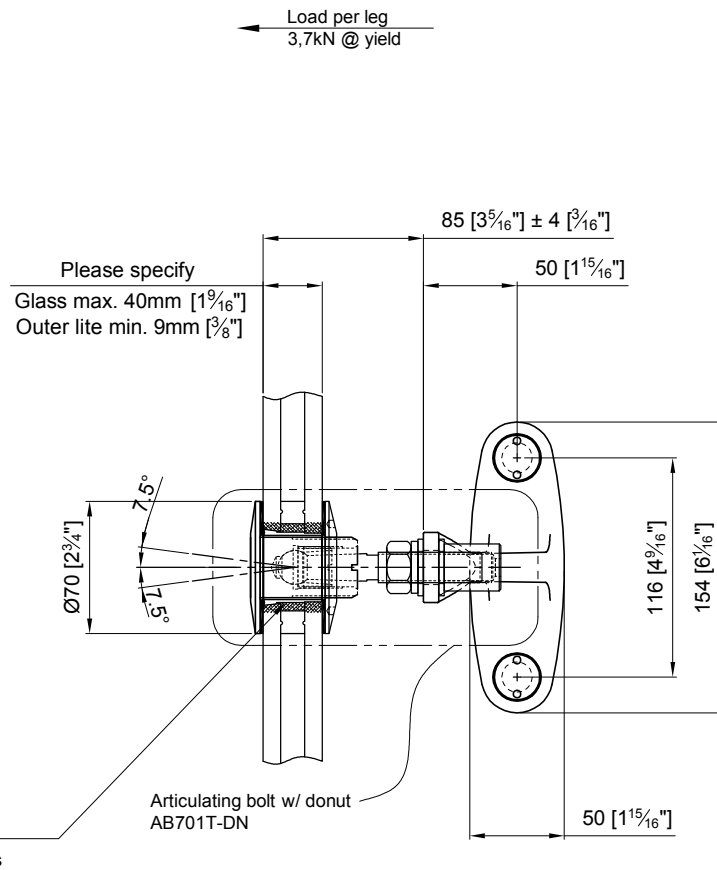


**FRONT VIEW**



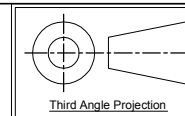
**SIDE VIEW**

APPROVAL

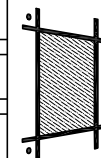
DATE

Quantity: Sets  
Material: Grade 304/316 Stainless steel  
Finish: Spider: Satin; Glass bolt: Machined

Hole in glass see above  
Dimensions millimeter unless otherwise shown  
Apply loctite 243 to all threads during assembly  
(To increase curing speed, please apply activator 7649)  
Details are typical and are subject to change to meet project requirement



Drawn	Drawn date
JH	APR 25-2013
Approved	Approved date
-	-
Scale	Rev.
1:4	-
DWG No	
SS201ST-AB701T-DN	



**stella**

[t] (604) 231 5892  
[f] (604) 231 5893  
[e] info@stellaglasshardware.com

**ASSEMBLY DRAWING**  
**SS201ST SIDE MOUNTED SPIDER W/ ARTICULATING BOLT W/ DONUT AB701T-DN**  
**FOR INSULATED GLASS UNITS (10 / 12.7 / 10)**