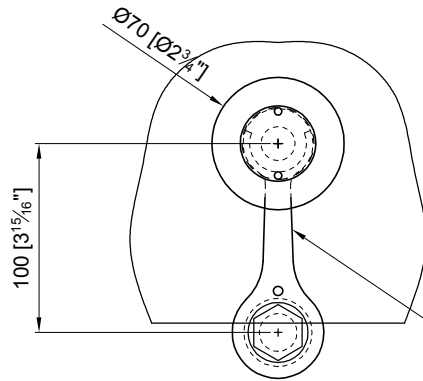


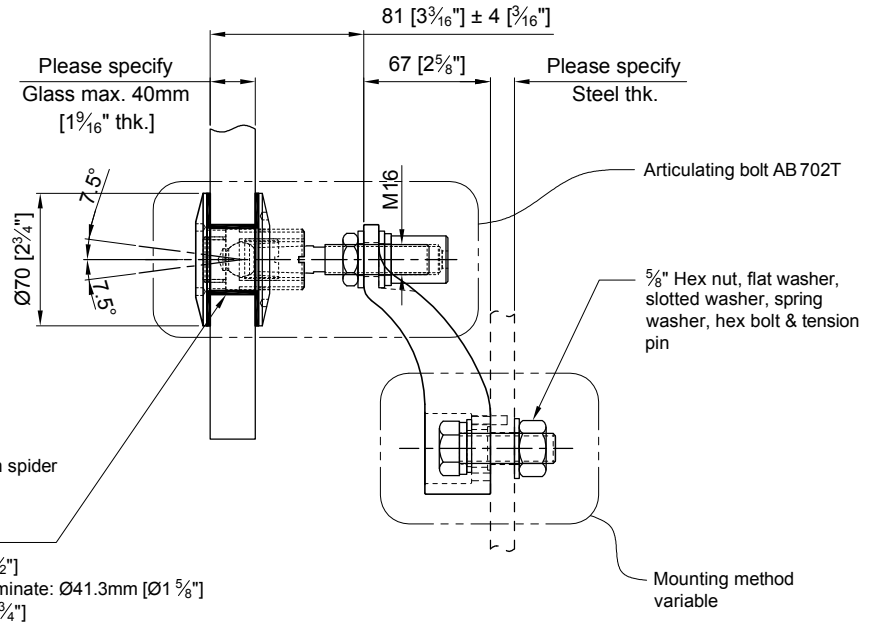
Load per leg  
1,5kN @ yield

Load per leg  
3,7kN @ yield



SS201FT Single arm spider

FRONT VIEW



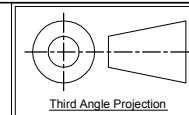
Thru hole in glass:  
min: Ø38.1mm [Ø1 1/2\"/>  
recommended in laminate: Ø41.3mm [Ø1 5/8\"/>  
max: Ø44.5mm [Ø1 3/4\"/>

SIDE VIEW

APPROVAL
DATE

Quantity: Sets  
Material: Grade 304/316 Stainless steel  
Finish: Spider: Satin; Glass bolt: Machined

Hole in glass see above  
Dimensions millimeter unless otherwise shown  
Apply loctite 243 to all threads during assembly  
(To increase curing speed, please apply activator 7649)  
Details are typical and are subject to change to meet project requirement



Drawn	Drawn date
JH	APR 26-2013
Approved	Approved date
-	-
Scale	Rev.
1:4	-
DWG No	
SS201FT-AB702T	

**stella**  
[t] (604) 231 5892  
[f] (604) 231 5893  
[e] info@stellaglasshardware.com

ASSEMBLY DRAWING  
SS201FT SPIDER W/ ARTICULATING BOLT AB702T