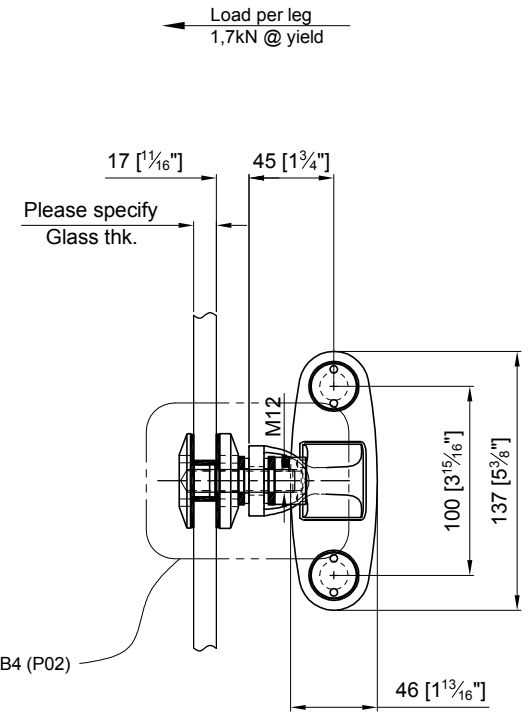


FRONT VIEW

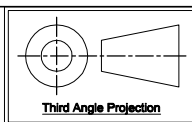


SIDE VIEW

APPROVAL
DATE

Quantity: Sets
Material: Grade 304/316 Stainless steel
Finish: Spider: Satin; Glass bolt: Machined

Hole in glass min. Ø22.2mm [Ø 7/8\"]
 Dimensions millimeter unless otherwise shown
 Apply loctite 243 to all threads during assembly
 (To increase curing speed, please apply activator 7649)
 Details are typical and are subject to change to meet project requirement



Drawn	Drawn date
JH	DEC 15-09
Approved	Approved date
RL	DEC 15-09
Scale	Rev.
1:4	-
DWG No	
SS152ST-NB504T	

stella
 custom glass hardware Inc
 [t] (604) 231 5892
 [f] (604) 231 5893
 [e] sales@stellassemblies.com

ASSEMBLY DRAWING
S15-2Sa SIDE MOUNTED SPIDER W/ NON-ARTICULATING BOLT NB4(P02)
FORMALLY S15-2Sa-NB4(P02)

This drawing is the property of Stella Custom Glass Hardware Inc and may not be copied or reproduced in any way whatsoever without written permission of that company