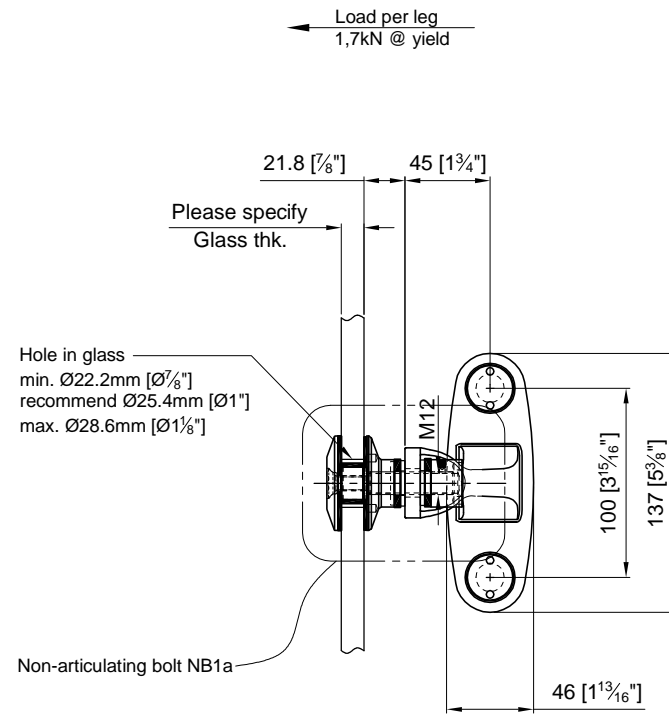


FRONT VIEW



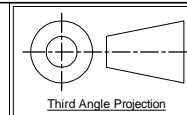
SIDE VIEW

APPROVAL

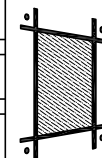
DATE

Quantity: Sets  
 Material: Grade 304/316 Stainless steel  
 Finish: Spider: Satin; Glass bolt: Machined

Hole in glass see above  
 Dimensions millimeter unless otherwise shown  
 Apply loctite 243 to all threads during assembly  
 (To increase curing speed, please apply activator 7649)  
 Details are typical and are subject to change to meet project requirement



Drawn	Drawn date
JH	NOV 18-09
Approved	Approved date
RL	NOV 18-09
Scale	Rev.
1:4	-
DWG No	
SS151ST-NB502T	



**stella**

[t] (604) 231 5892  
 [f] (604) 231 5893  
 [e] info@stellaglasshardware.com

ASSEMBLY DRAWING  
 S15-1Sa SIDE MOUNTED SPIDER W/ NON-ARTICULATING BOLT NB1a  
 FORMERLY S15-1Sa-NB1a