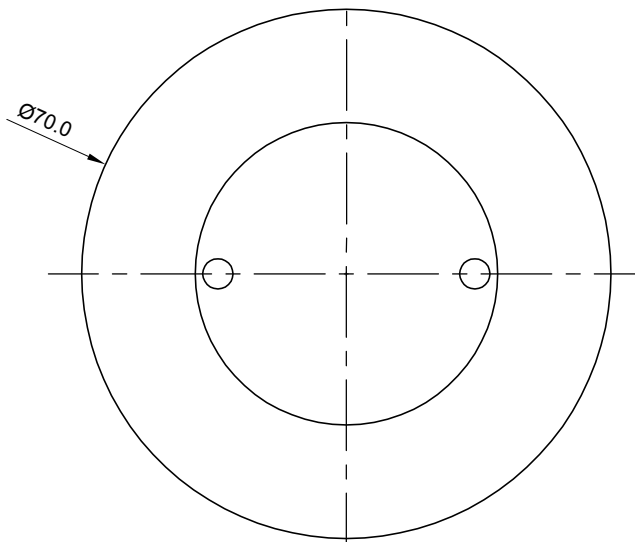


Articulating ball
Allows $\pm 7.5^\circ$ rotation

Glass 24 - 40 mm thk.
please specify


81.3 +/- 4 (depending on steel thickness)

Please specify
steel thk.

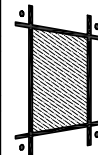


Thru hole in glass:
min: $\text{Ø}38.1\text{mm}$ [$\text{Ø}1\frac{1}{2}"$]
recommended in laminate: $\text{Ø}41.3\text{mm}$ [$\text{Ø}1\frac{5}{8}"$]
max: $\text{Ø}44.5\text{mm}$ [$\text{Ø}1\frac{3}{4}"$]

Quantity:
Material: Grade 316 Stainless steel
Finish: Machined

Hole in glass min. $\text{Ø}38.1\text{mm}$ [$\text{Ø}1\frac{1}{2}"$]
Dimensions millimeter unless otherwise shown
Loctite all threads during final assembly
4mm hole can be tighten w/ adjustable pin spanner
(Ref. SPA-01) 
Subject to change

Drawn	Drawn date
JS	30 Jul 2012
Checked	Checked date
Scale	Rev.
1:1	0
DWG No	
AB702T	



stella

[t] (604) 231 5892
[f] (604) 231 5893
[e] info@stellaglasshardware.com

**ASSEMBLY DRAWING
ARTICULATING BOLT AB702T**