



*Beverly Hills Post Office
Photo copyright holder is Gensler/Ryan Gobuty*



Posiglaze

Frameless Base Shoe Glass Balustrade

The Frameless Base Shoe Glass Balustrade System

ONLY CLEAR VIEWS FROM HERE

No posts needed for support, resulting in a clean, uninterrupted view.

FAST INSTALLATION AND ADJUSTMENT EASE

Uneven mounting surface? No worries. Posiglaze's integrated screw-clamp technology provides a 2 degree adjustment angle on either side of the glass for perfect (and quick!) glass alignment.

SAVE MORE INSTALL TIME WITH DRY-GLAZED SYSTEM

No down time waiting for silicone to dry, no applying messy pouring sealants. Plus glass can easily be removed and replaced if required.

STRUCTURALLY STRONG (BUT LIGHT IN WEIGHT)

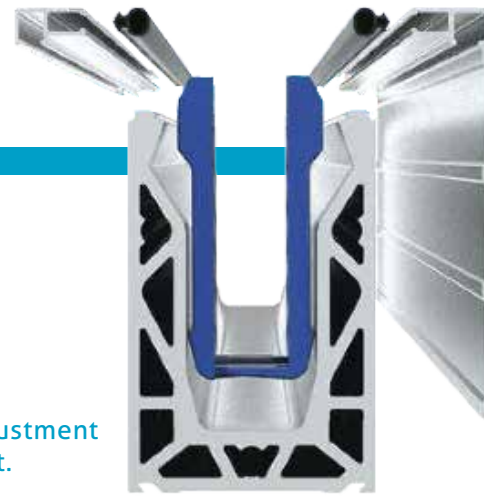
Incredible strength to weight ratio; testing in accordance with ASTM. Posiglaze is made from extruded aluminum with a unique geometrically hollowed-out core. Additional protection against the elements is provided via anodization of the channel.

ENGINEERED AND TESTED

Tested and engineered to meet strict building regulations in domestic and light commercial applications (with the appropriate fixing method and glass thickness).

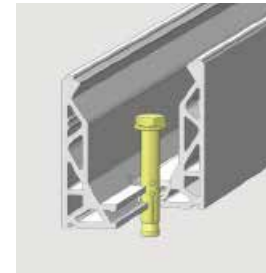
FAST FACTS

- Applications:
 - Residential - Decks, Juliet balconies, staircases, mezzanines, balustrades, garden privacy screens
 - Commercial - All of the above plus room dividers, defined walkways, edge protections, windbreaks
- Glass Thickness: 12 to 21.5mm [1/2" to 7/8"]
- Finish Options: Silver brushed (stainless steel effect), matte black, anodized, or custom-paint
- Mounting Options:
 - Base-mount – most common – fixed to substrate (concrete or steel) via drill holes in base of channel
 - Side-mount – when a side fix is needed, this option has drill holes in the side of channel



Six Easy Steps to Install

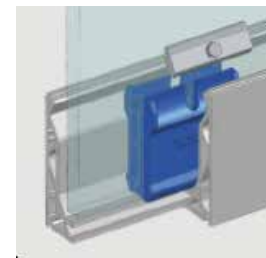
- 1 **Fit base channel to substructure.**
Affix connecting bolts via pre-drilled holes situated at 100mm [4"] from first edge and then at 200mm [8"] intervals after.



- 2 **Clamp the glass.**
Clamp at bottom edge of glass at 250mm [10"] intervals, starting at 125mm [5"] from the first edge. Squeeze clamps tight around glass and position panel in the base channel.



- 3 **Place clamp bars in pivot clamp.**
Slide aluminum bars curved side down into recess at top of each clamp, on both sides of glass. Loosely screw bolts into bar.



- 4 **Adjust the Glass.**
With bolts loosely in place, glass panel will be able to move a few mm in either direction. Align glass panels by loosening clamp bar bolts on one side of glass while tightening bolts on other side of glass using provided angled spanner tool.



- 5 **Add top bead.**
Slip/clip top seal strip and glazing gasket onto top edge of base channel for a clean finish.



- 6 **Finish install and enjoy the view.**

Installation video on our website



Nordstrom's Bazille Restaurant
Norwalk, Connecticut

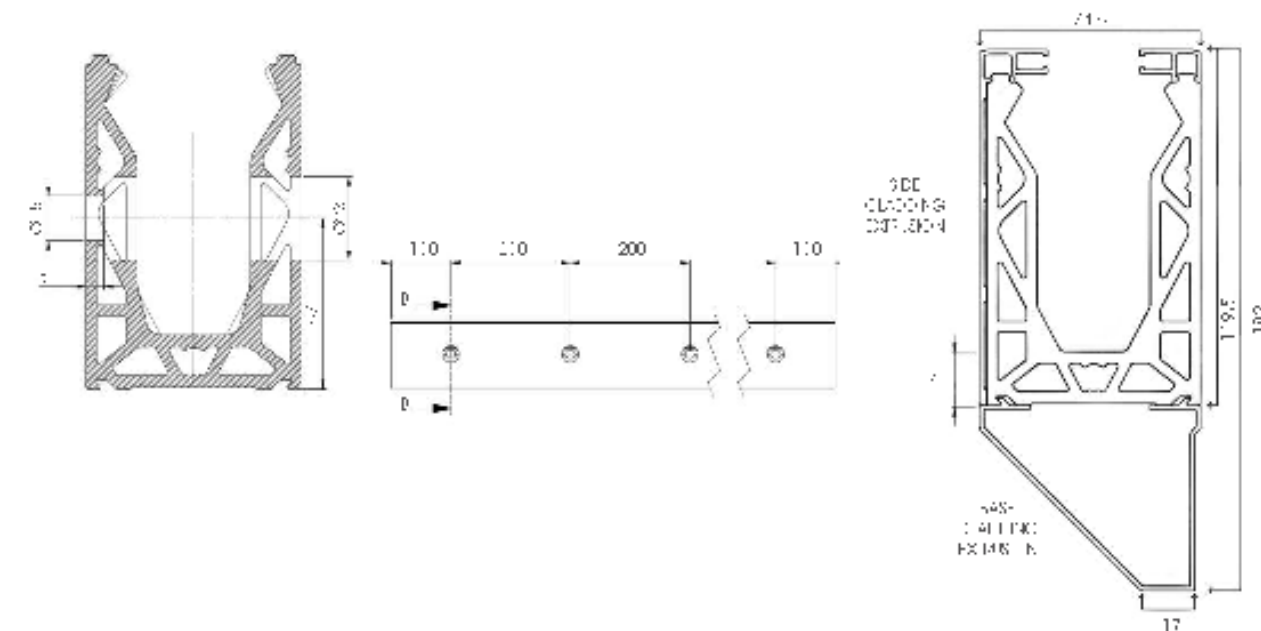
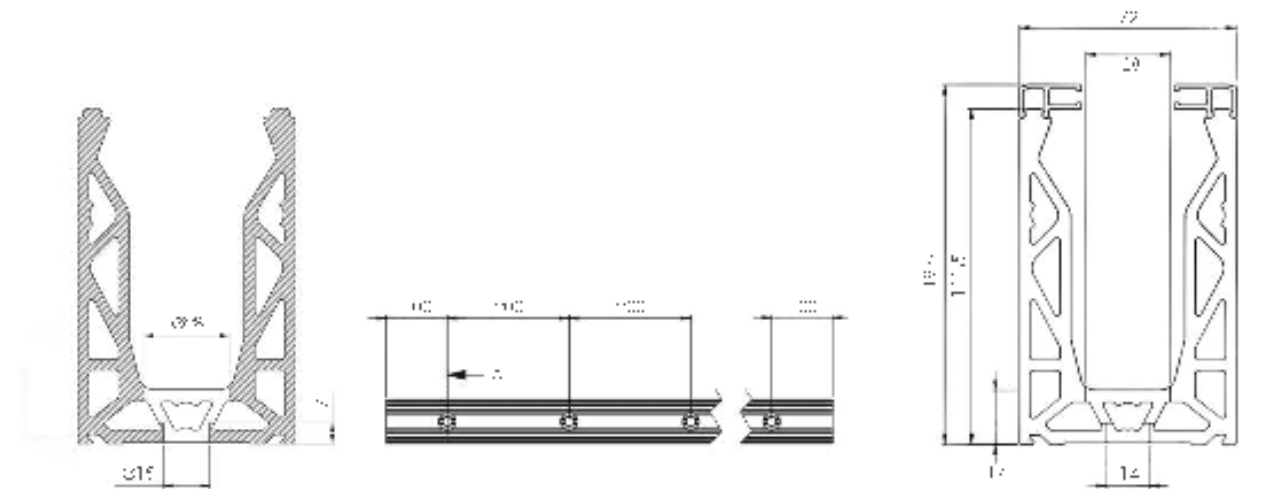


"One of most forgiving balustrade systems I've ever used"
- Past Glazier/Installer

SIDE-MOUNTED KIT - 3M [10'] LENGTH KIT ALSO AVAILABLE IN 6M [20']

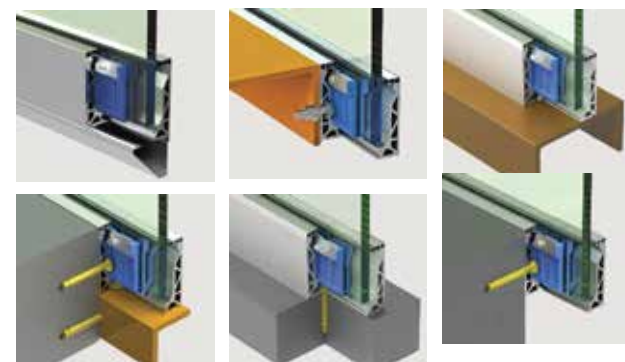
3m [10'] Posiglaze Side-Mounted Kit comprises of:

- 1 x 3m Side-Mounted Channel
- 1 x 3m Top Seal Strip
- 1 x 3m Side Cladding
- 2 x Angled Spanners
- 1 x Clamp Kit to suit specified glass thickness
(Clamp Kit includes Clamps, Clamp Bolts, Clamp Bars, and Glazing Gasket)



Known for its versatility and ease of install, we provide this system in three options:

- Full Package with Design** - we take care of all the planning and details. Posiglaze is supplied with supporting shop drawings, glass fabrication drawings, and engineering design. All that's needed is glass and install.
- Product in a Box (or Two)** - complete Posiglaze kit in base- or side-mounted option as detailed below
- A la Carte** - just need accessories to finish off your project? Next pages have individual pieces to order.



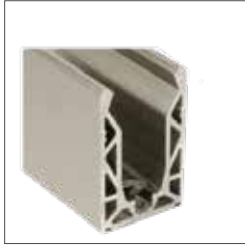
BASE-MOUNTED KIT - 3M [10'] LENGTH KIT ALSO AVAILABLE IN 6M [20']

3m [10'] Posiglaze Base-Mounted Kit comprises of:

- 1 x 3m Base-Mounted Channel
- 2 x 3m Top Seal Strip
- 2 x Angled Spanners
- 1 x Clamp Kit to suit specified glass thickness
(Clamp Kit includes Clamps, Clamp Bolts, Clamp Bars, and Glazing Gasket)

Posiglaze Parts and Accessories

1



PRODUCT

Base-Mounted Posiglaze
3m [10'] Length

PRODUCT DESCRIPTION

Pre-drilled connection holes are suitable for a 12mm [1/2"] fixing bolt; holes are counterbored to sink the bolt head.

Clear anodized channel is typically used when the channel is not visible.

2



PRODUCT

Side-Mounted Posiglaze
3m [10'] Length

PRODUCT DESCRIPTION

Pre-drilled connection holes are suitable for a 12mm [1/2"] fixing bolt; holes are counterbored to sink the bolt head.

Channel is pre-drilled drilled through both walls; one side allows socket through.

3



PRODUCT

90° Corner
(For use with base-mounted option)

PRODUCT DESCRIPTION

Supplied with four dowels for easier connection.
Order top seal strip, side cladding, and glazing gasket separately.

4



PRODUCT

Top Seal Strip
3m [10'] Length
(For use with base- and side-mounted options)

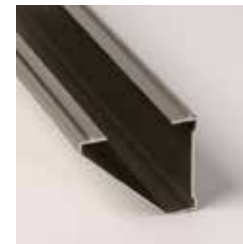
PRODUCT DESCRIPTION

Top seal strip holds glazing gasket.
Strip is pressed onto the channel at final step of installation and covers the clamps to prevent debris from entering the channel.

Application details:

- Base-mounted - apply on the interior and exterior
- Side-mounted - apply only on the interior

5



PRODUCT

Bottom Cladding
3m [10'] Length
(For use with side-mounted option)

PRODUCT DESCRIPTION

Provides an angled finish to the bottom of the side-mounted channel.
This cladding clips into the grooves under the channel.
Requires adhesive (not supplied) to secure in place.

6



PRODUCT

Side Cladding
3m [10'] Length
(For use with base- and side-mounted options)

PRODUCT DESCRIPTION

Used on base-mounted channel to provide alternative finish as this can be painted.
On side-mounted channel exterior, this cladding covers drill holes and clamps from view as well as holds gasket in place.
Requires adhesive (not supplied) to secure in place.

Posiglaze Parts and Accessories

7



PRODUCT

Clamp Kits

3m [10'] Length

Kits available for each of the following glass thicknesses:

- 12mm [1/2"]
- 13.5mm [17/32"]
- 15mm [19/32"]
- 17.5mm [11/16"]
- 19mm [3/4"]

PRODUCT DESCRIPTION

Clamps fit +/- 1mm of glass thickness (example: 15mm glass clamps will suit 14 to 16mm glass)

Kit includes clamps plus

- Clamp Bars - sits in top mould of clamps
- Clamp Bolts - affixes to clamp bars. Can be easily adjusted for glass alignment
- Glazing Gasket - 6m [20'] long to suit chosen glass thickness

8



PRODUCT

Glazing Gasket

PRODUCT DESCRIPTION

Glazing gasket can be supplied in any length with 3m [10'] being the standard length.

Glazing gasket is available in two sizes:

- Large - 12 to 17.5mm [1/2" to 11/16"] glass thickness
- Small - 19 to 21.5mm [3/4" to 7/8"] glass thickness

9



PRODUCT

End Caps

Options for End Cap:

- Base-Mounted
- Knock-in Base-Mounted
- One Side-Clad OR Two Side-Clad
- Shaped Right OR Shaped Left

PRODUCT DESCRIPTION

Note: photo to left shows channel without end cap applied.

Aluminum cover to attach to end of channel for finish look. Requires adhesive (not supplied) to secure in place.

10



PRODUCT

Dowel

PRODUCT DESCRIPTION

Use dowels for better alignment when joining channel sections together. Each channel has three optional slots to hold dowels; connection via two dowels is required.

11



PRODUCT

Angled Spanner

PRODUCT DESCRIPTION

Install tool used for both base- and side-mounted options. Clamp bars are tightened and adjusted using this tool.

12



PRODUCT

Drain Block

(For use with base-mounted option)

PRODUCT DESCRIPTION

Allows water to escape. Anodized aluminum drain block fits behind each pre-drilled hole between the substrate and channel.

Solano Transportation Authority
Suisun City, CA



Who We Are

Canadian-owned and operated since 2001, we create complete facade solutions with integrated systems for streamlined processes. From tender-ready to shop drawings, engineering through to install.

We are multi-sector experts, from transportation to healthcare to education to commercial.

Specializing in custom design and a collaborative approach, Stella specializes in structural glass walls, canopies, guardrails, balustrades, vestibules, elevator shafts and partitioning systems.

Ready to talk to someone?

Stella Head Office
604.231.5892
info@stellaglasshardware.com

Follow Us @Stella_Glass





Posiglaze

The Frameless Glass Balustrade Solution