

PERIMETER CHANNEL

PC2110/PC2910/PC3710/PC4510

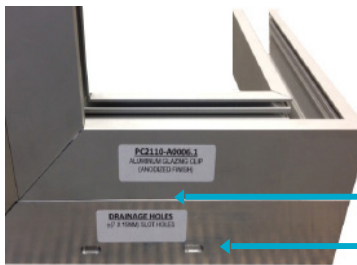
Beginning as a companion part to Stella's structural glass walls, the labour-saving details of our perimeter channels have led to their popularity as a stand-alone glazing solution.

How Stella Perimeter Channels Reduce On-Site Labour Hours

- Dry-fitted glazing gaskets - no waiting for wet silicone to cure
- Glazing clips - glass is positioned first, then clipped in place
- Easy connection - pieces slide into each other, then screw together
- DIY or fully-fabricated package - Can be supplied in 12ft lengths to cut on site or we can take care of all the details - cut to length and pre-drilled with drainage and fixing holes, complete with all the connection hardware included
- Ledge brackets - Optional inserted shelf brackets eliminate the need for spider fittings at wall edges and allow the glass to be stacked without transferring loads to the panel below

Notable Features

- 1 Clean joint connections at horizontal, vertical and corner junctions
- 2 Drainage slots for weather performance
- 3 Large gasket selection to accommodate varying glass thicknesses (kerf seal gaskets can also allow in plane movement of the glass)
- 4 Made of 6061-T6 aluminum - specifically sourced for T6's hardness and structural strength
Large selection of finishes including mill, anodized (clear, black, bronze), two-coat Duranar paint matched to your sample, and brushed stainless steel cladding



1 Clean joint connections

2 Drainage slots

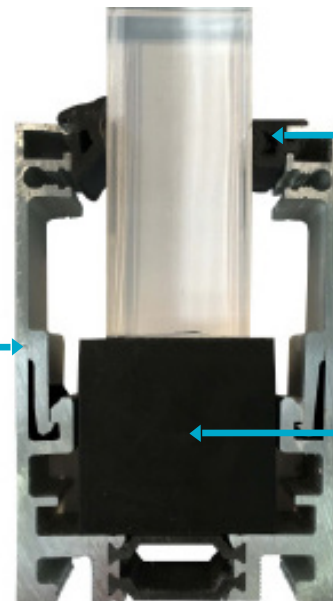
PC2110

Non-Thermally Broken



PC3710

Thermally Broken



3 EDPM gaskets

Removable glazing clips

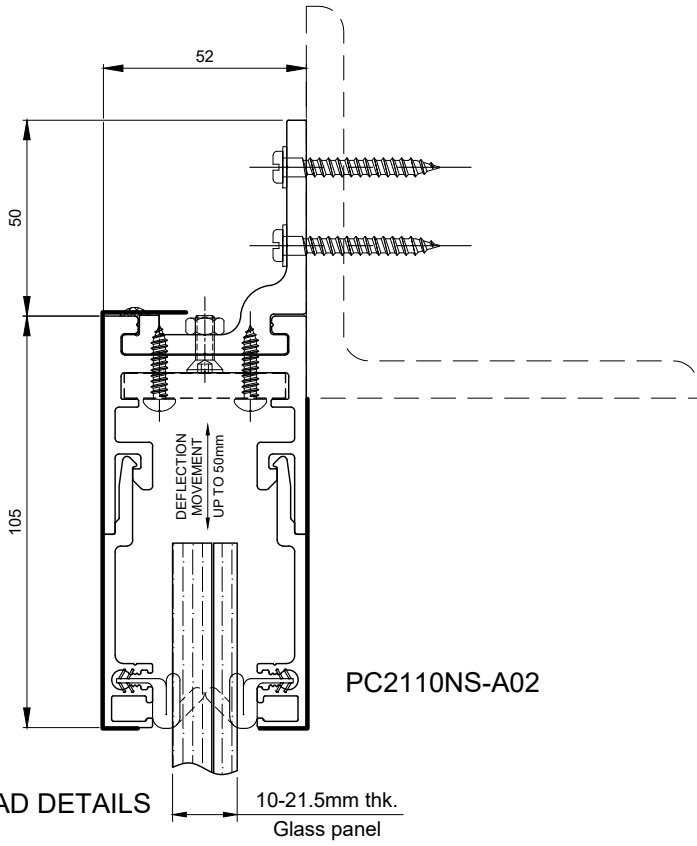
Silicone/delrin setting block

System Options

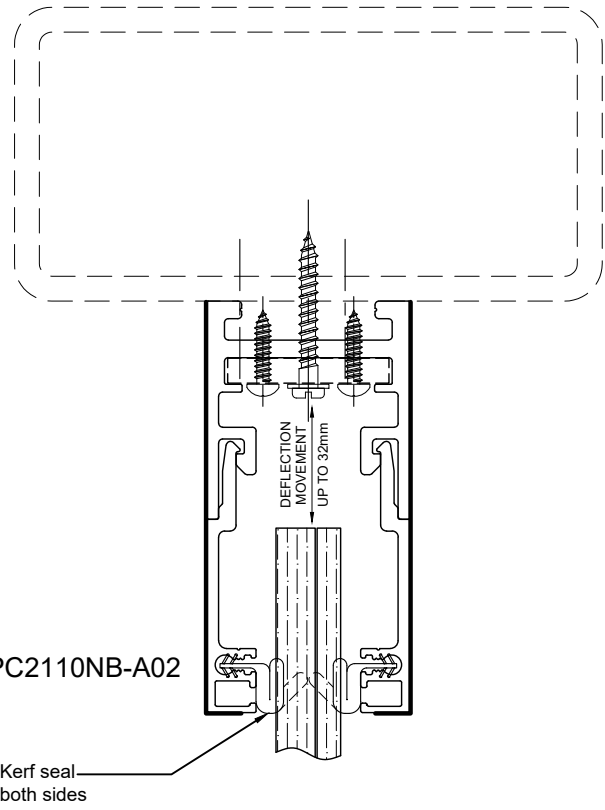
- Bottom and side-mount option available for all Stella perimeter channel systems
- Non-Thermally Broken - PC2110 Series (Standard)
Accommodate glass thicknesses - 10mm to 21.5mm
- Thermally Broken - PC2910 Series (Non-standard)
Accommodate glass thicknesses - 25mm to 29mm
- Thermally Broken - PC3710 Series (Standard)
Accommodate glass thicknesses - 25.5mm to 37.5mm
- Thermally Broken - PC4510 Series (Non-standard)
Accommodate glass thicknesses - 43.5mm to 45.5mm

SIDE MOUNTED

BASE MOUNTED

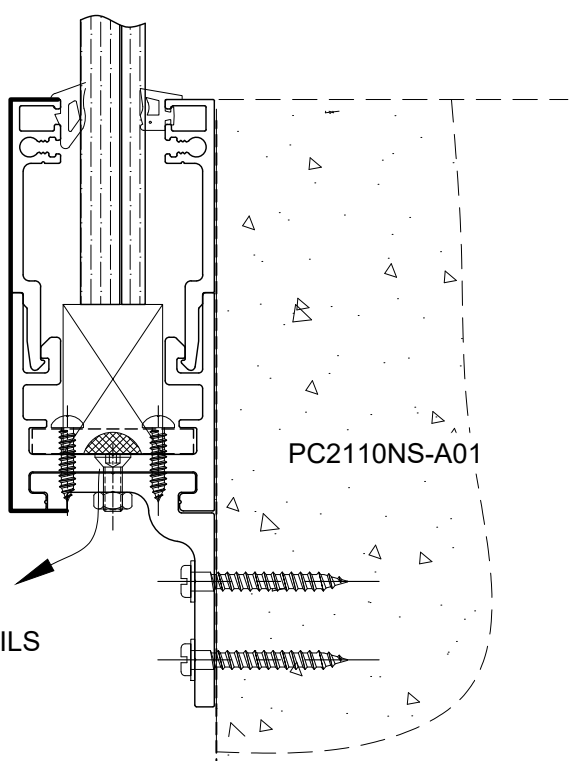


PC2110NS-A02



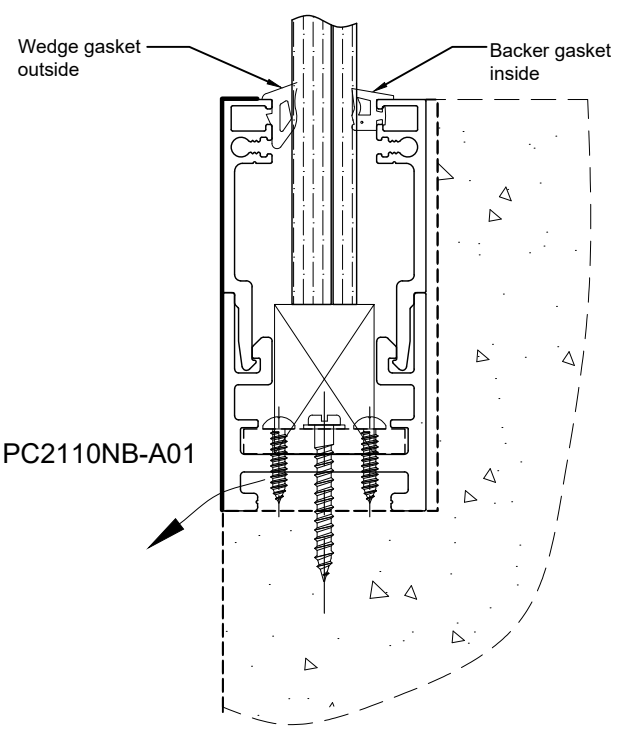
PC2110NB-A02

HEAD DETAILS



PC2110NS-A01

SILL DETAILS



PC2110NB-A01

SUBJECT TO CHANGE BY PROJECT

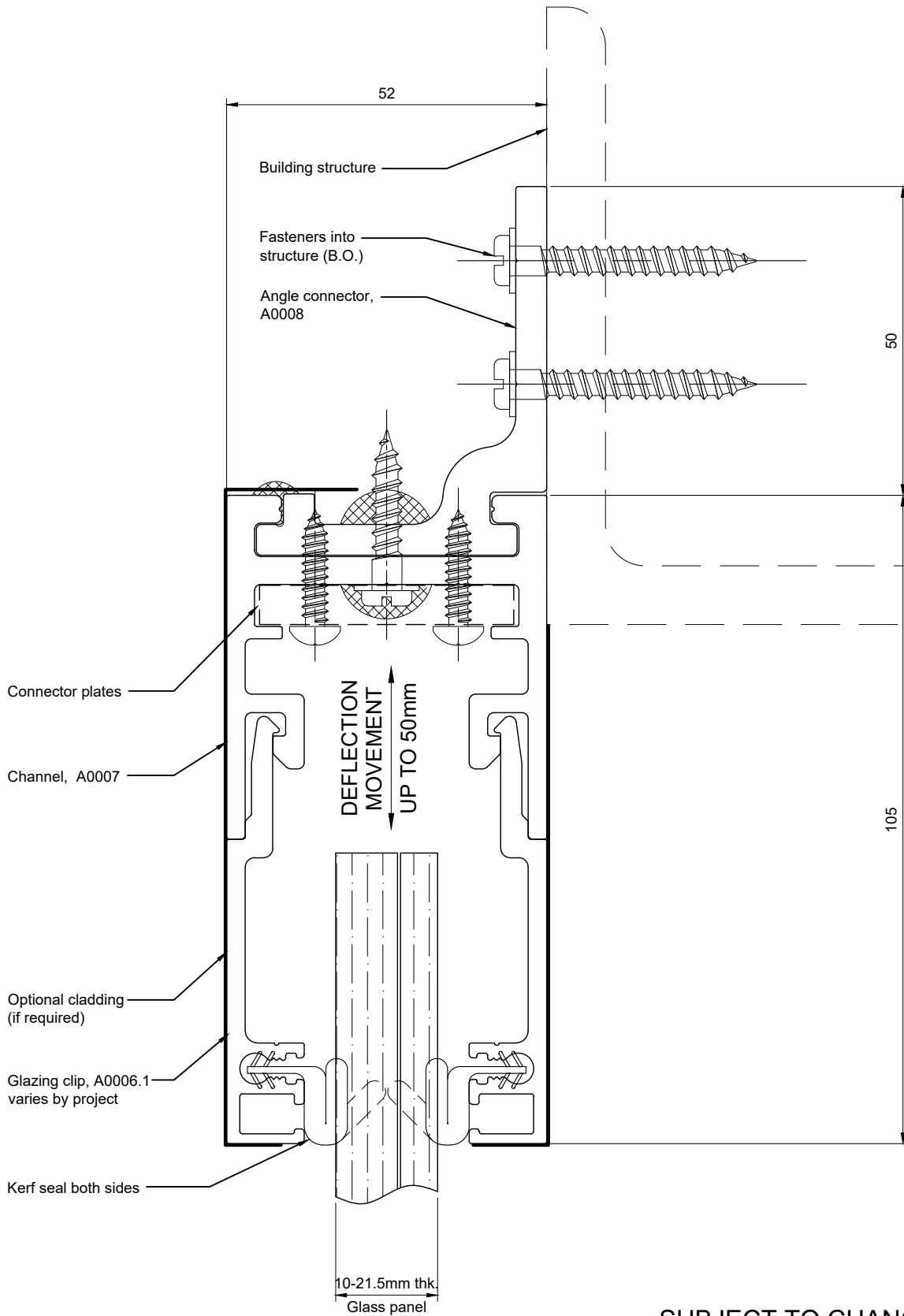
Quantity: See Purchase Order
 Material: Aluminum 6063-T5
 Finish: Mill unless otherwise specified

Available in the following finishes:-
 Mill Finish (Standard)
 Anodized
 Painted
 Clad with stainless steel brake shapes

Drawn	Drawn date
RL	APR 07-2014
Checked	Checked date
-	-
Scale	Rev.
1:2	0
DWG No	
PC-2110 SERIES	



PERIMETER CHANNELS
 for MONOLITHIC OR LAMINATED GLASS UP TO 21.5mm THICK
PC-2110 SERIES



SUBJECT TO CHANGE BY PROJECT

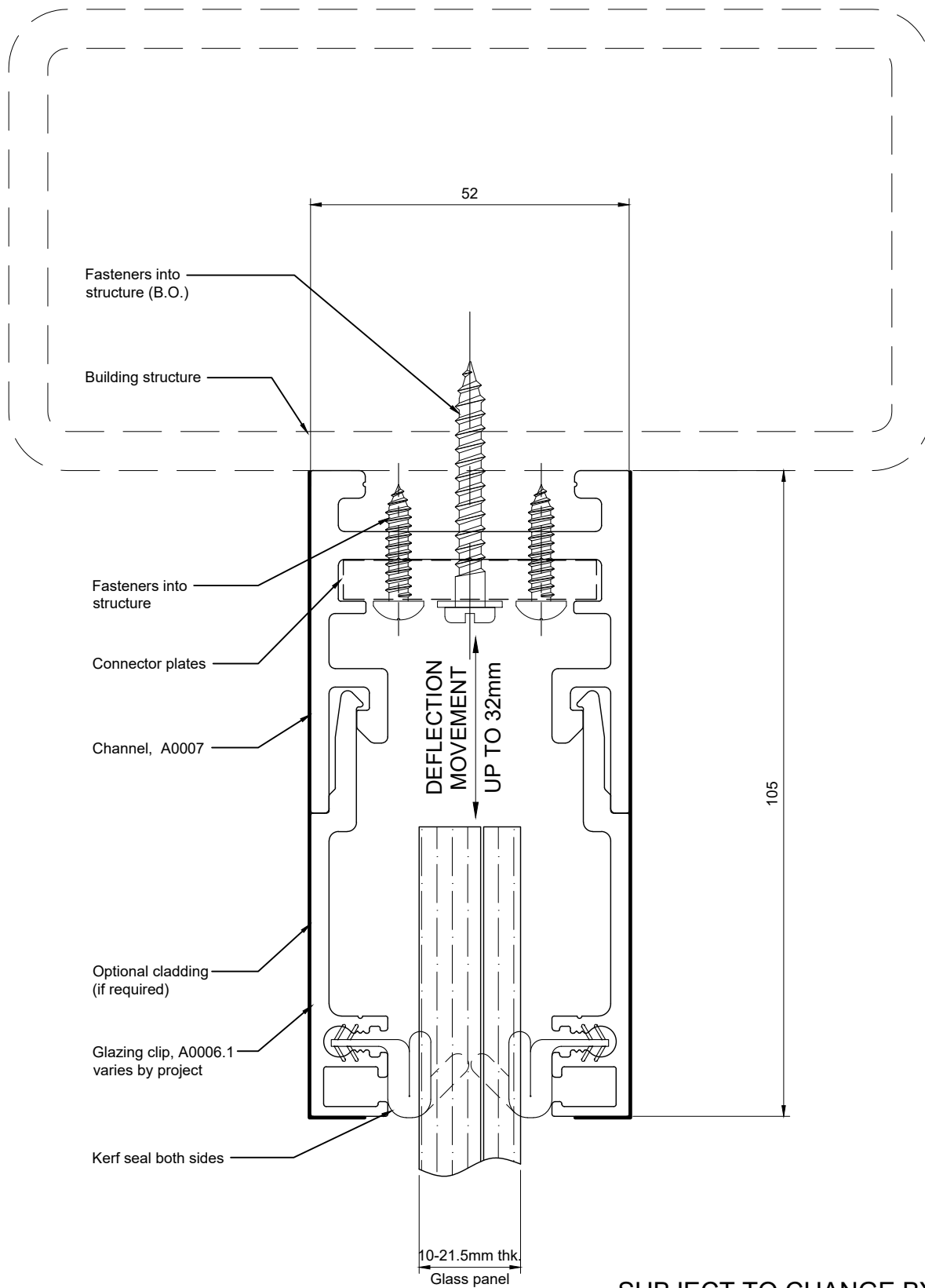
Quantity: See Purchase Order
 Material: Aluminum 6061-T6
 Finish: Mill unless otherwise specified

Available in the following finishes:-
 Mill Finish (Standard)
 Anodized
 Painted
 Clad with stainless steel brake shapes


Drawn	Drawn date
RL	SEP 04-2013
Checked	Checked date
-	-
Scale	Rev.
1:1	1
DWG No	
PC-2110NS-A02	

stella
 [t] (604) 231 5892
 [f] (604) 231 5893
 [e] info@stellaglasshardware.com

**PERIMETER CHANNEL
 for MONOLITHIC OR LAMINATED GLASS UP TO 21.5mm THICK
 HEAD DETAIL - FACE MOUNTED**

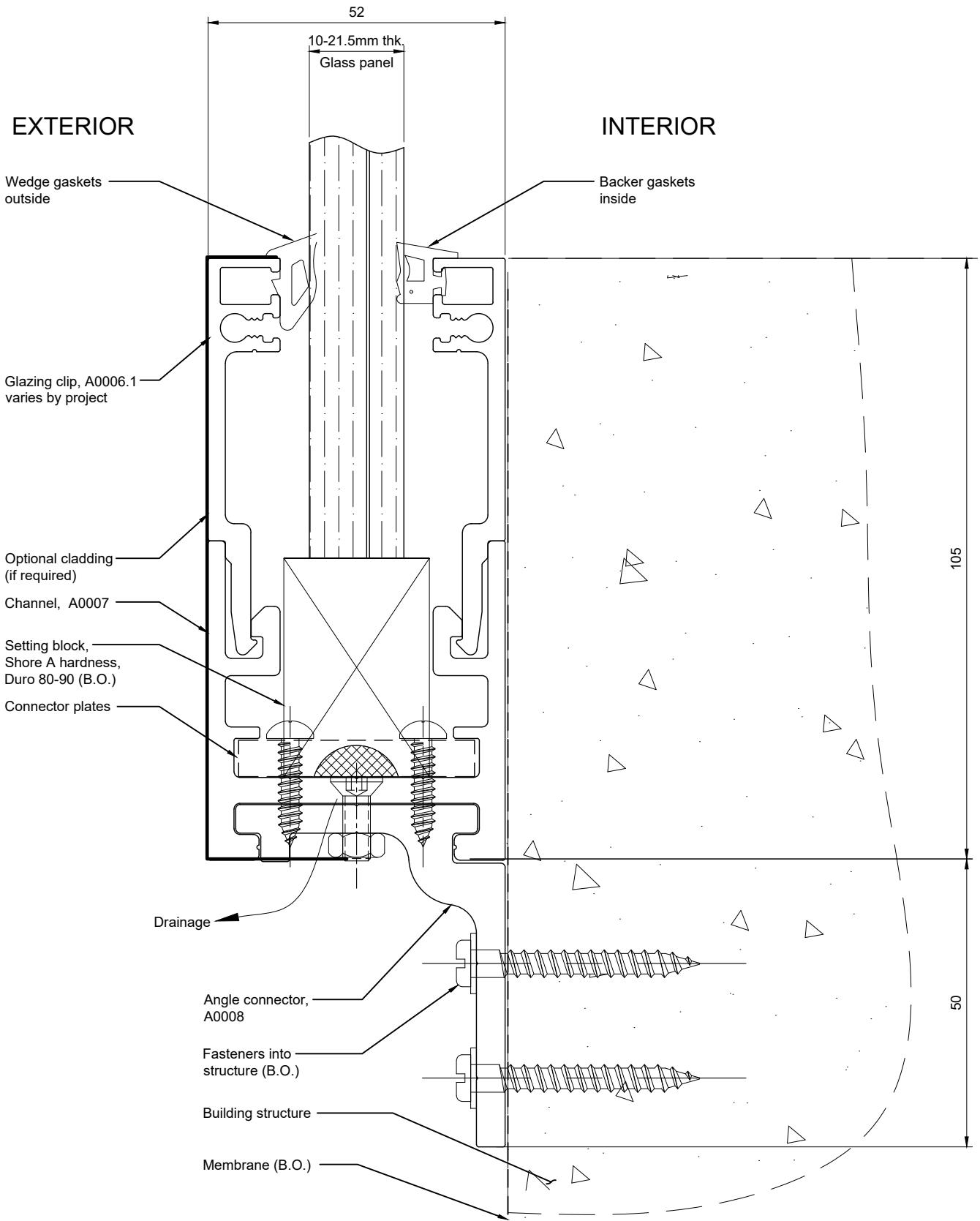


SUBJECT TO CHANGE BY PROJECT

<p>Quantity: See Purchase Order Material: Aluminum 6061-T6 Finish: Mill unless otherwise specified</p>	<p>Available in the following finishes:- Mill Finish (Standard) Anodized Painted Clad with stainless steel brake shapes</p>	<table border="1"> <tr> <td>Drawn</td> <td>Drawn date</td> </tr> <tr> <td>RL</td> <td>SEP 04-2013</td> </tr> <tr> <td>Checked</td> <td>Checked date</td> </tr> <tr> <td>-</td> <td>-</td> </tr> <tr> <td>Scale</td> <td>Rev.</td> </tr> <tr> <td>1:1</td> <td>1</td> </tr> <tr> <td>DWG No</td> <td></td> </tr> <tr> <td colspan="2">PC-2110NB-A02</td> </tr> </table>	Drawn	Drawn date	RL	SEP 04-2013	Checked	Checked date	-	-	Scale	Rev.	1:1	1	DWG No		PC-2110NB-A02		 <p>[t] (604) 231 5892 [f] (604) 231 5893 [e] info@stellaglasshardware.com</p>
Drawn	Drawn date																		
RL	SEP 04-2013																		
Checked	Checked date																		
-	-																		
Scale	Rev.																		
1:1	1																		
DWG No																			
PC-2110NB-A02																			
<p align="center">PERIMETER CHANNEL for MONOLITHIC OR LAMINATED GLASS UP TO 21.5mm THICK HEAD DETAIL - TOP MOUNTED</p>																			

EXTERIOR

INTERIOR



SUBJECT TO CHANGE BY PROJECT

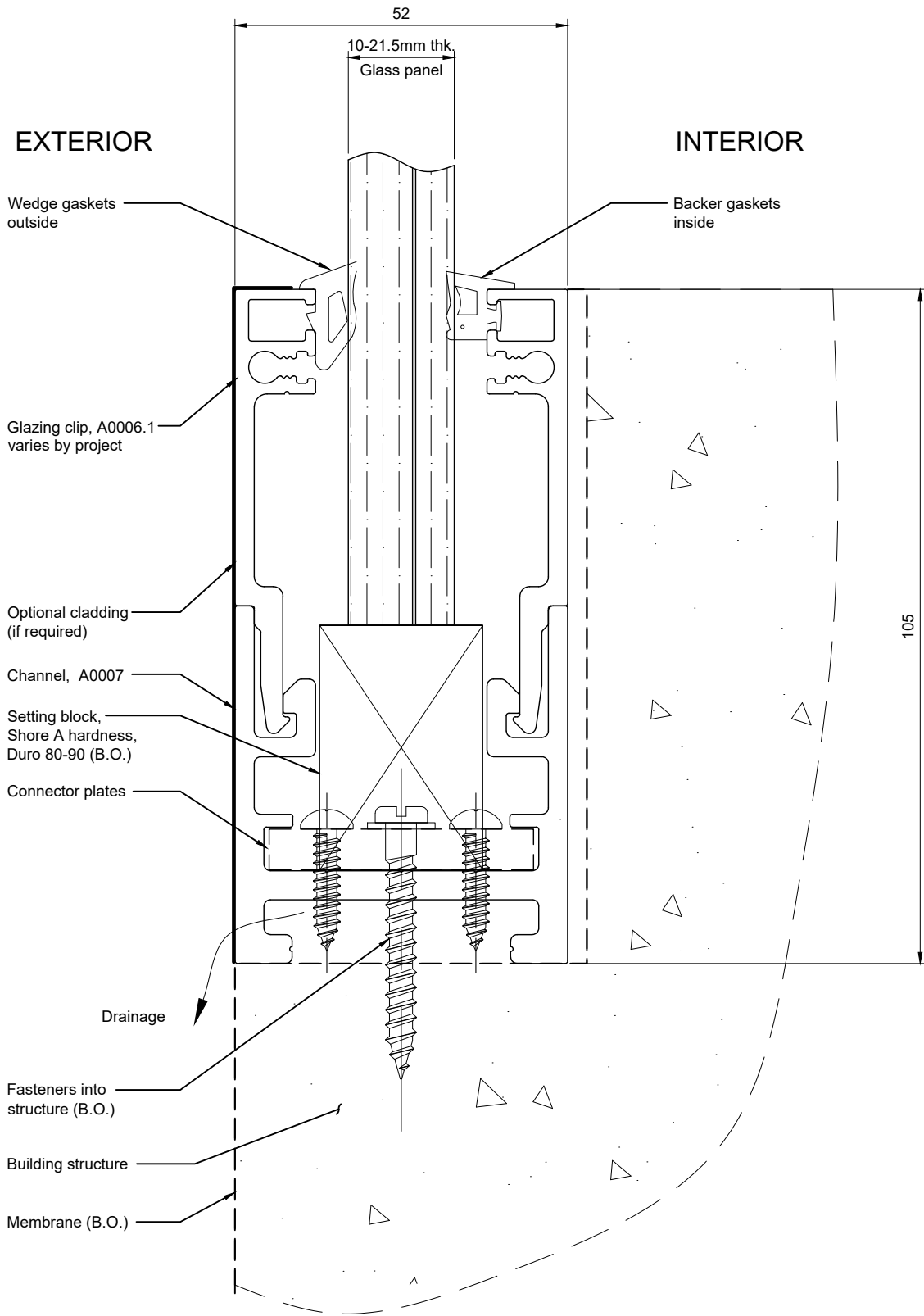
Quantity: See Purchase Order
 Material: Aluminum 6061-T6
 Finish: Mill unless otherwise specified

Available in the following finishes:-
 Mill Finish (Standard)
 Anodized
 Painted
 Clad with stainless steel brake shapes

Drawn	Drawn date
RL	SEP 04-2013
Checked	Checked date
-	-
Scale	Rev.
1:1	1
DWG No	
PC-2110NS-A01	

stella
 [t] (604) 231 5892
 [f] (604) 231 5893
 [e] info@stellaglasshardware.com

PERIMETER CHANNEL
for MONOLITHIC OR LAMINATED GLASS UP TO 21.5mm THICK
SILL DETAIL - FACE MOUNTED



SUBJECT TO CHANGE BY PROJECT

Quantity: See Purchase Order
 Material: Aluminum 6061-T6
 Finish: Mill unless otherwise specified

Available in the following finishes:-
 Mill Finish (Standard)
 Anodized
 Painted
 Clad with stainless steel brake shapes

Drawn	Drawn date
RL	SEP 04-2013
Checked	Checked date
-	-
Scale	Rev.
1:1	1
DWG No	
PC2110NB-A01	

[t] (604) 231 5892
 [f] (604) 231 5893
 [e] info@stellaglasshardware.com

PERIMETER CHANNEL
for MONOLITHIC OR LAMINATED GLASS UP TO 21.5mm THICK
SILL DETAIL - BOTTOM MOUNTED