

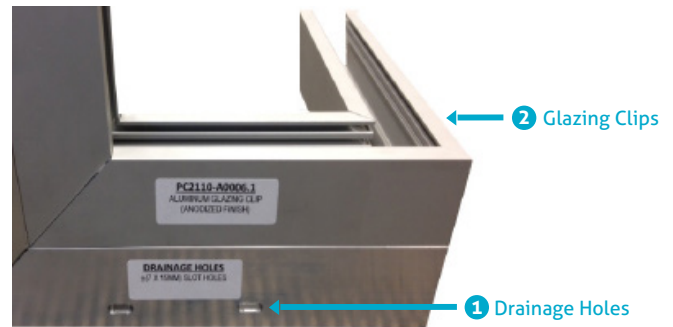
PERIMETER CHANNEL

PC2110 (Non-Thermally Broken)

The PC2110 Perimeter Channel fills the market need for a versatile aluminum channel system. Stella Perimeter Channels avoid time-extensive wet silicone sealing by providing dry-fitted glazing gaskets. Removable glazing clips allow for easy installation of thick, heavy panels of glass. Shelf brackets allow the glass to be stacked without transferring loads to the panel below. Both Perimeter Channel options (thermally broken and non-thermally broken) accommodate top or side finishing to the surrounding surface and are supplied in stock lengths of 12 feet.

Advantages

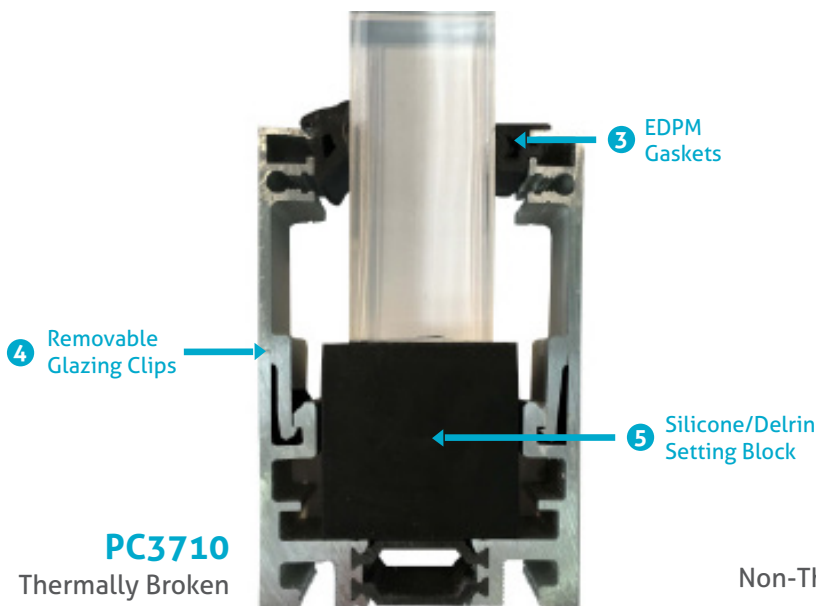
- 1 Drainage holes for weather resistance
- 2 Glazing clips allow the glass to be positioned first then clipped into place for install time savings.
- 3 Neat easy joint connections with "T" junctions and slide and shelf brackets
- 4 Various gasket options accommodate a range of glass thicknesses (Kerf seal gaskets allows in-plane movement of glass in some situations)



Cross-Section Samples

Perimeter Channel System shown with gaskets in place and glazing clips installed

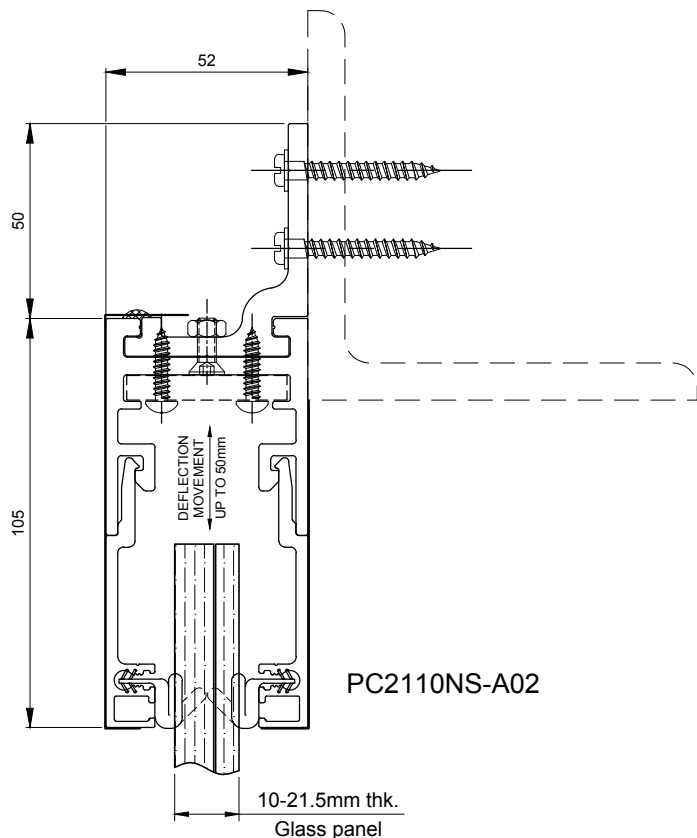
Installation Sample demonstrating glazing clips and drainage holes (left) and shelf brackets (right)



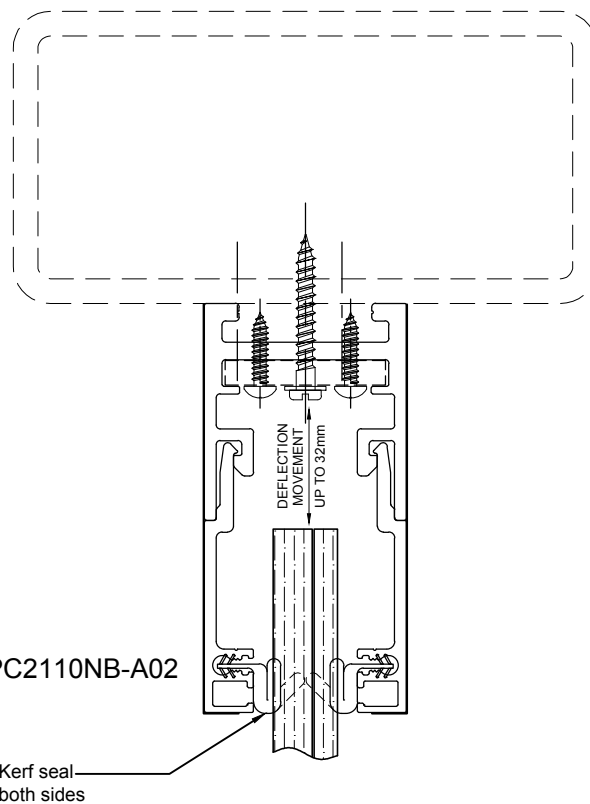
*glass thickness minimum: 25.4 mm
*glass thickness maximum: 37.5 mm

*glass thickness minimum: 10 mm
*glass thickness maximum: 21.5 mm

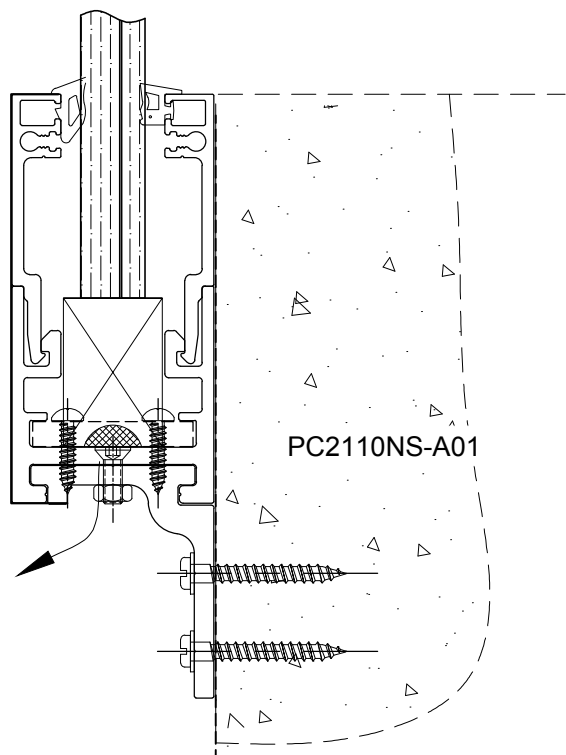
S:\PRODUCTS\PERIMETER CHANNELS\PC2110\Development\PC2110 - Assembly drawings - 170330.dwg, 04/07/2019 4:10:14 PM, DWG To PDF.pc3



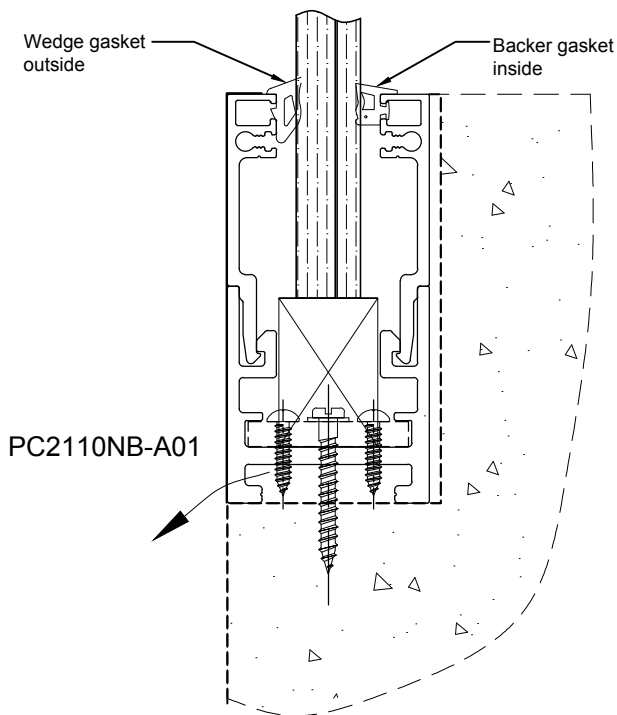
PC2110NS-A02



PC2110NB-A02



PC2110NS-A01



PC2110NB-A01

SUBJECT TO CHANGE BY PROJECT

Quantity: See Purchase Order
 Material: Aluminum 6063-T5
 Finish: Mill unless otherwise specified

Available in the following finishes:-
 Mill Finish (Standard)
 Anodized
 Painted
 Clad with stainless steel brake shapes

Drawn	Drawn date
RL	APR 07-2014
Checked	Checked date
-	-
Scale	Rev.
1:2	0
DWG No	
PC-2110 SERIES	



stella
 [t] (604) 231 5892
 [f] (604) 231 5893
 [e] info@stellaglasshardware.com

PERIMETER CHANNELS
for MONOLITHIC OR LAMINATED GLASS UP TO 21.5mm THICK
PC-2110 SERIES