

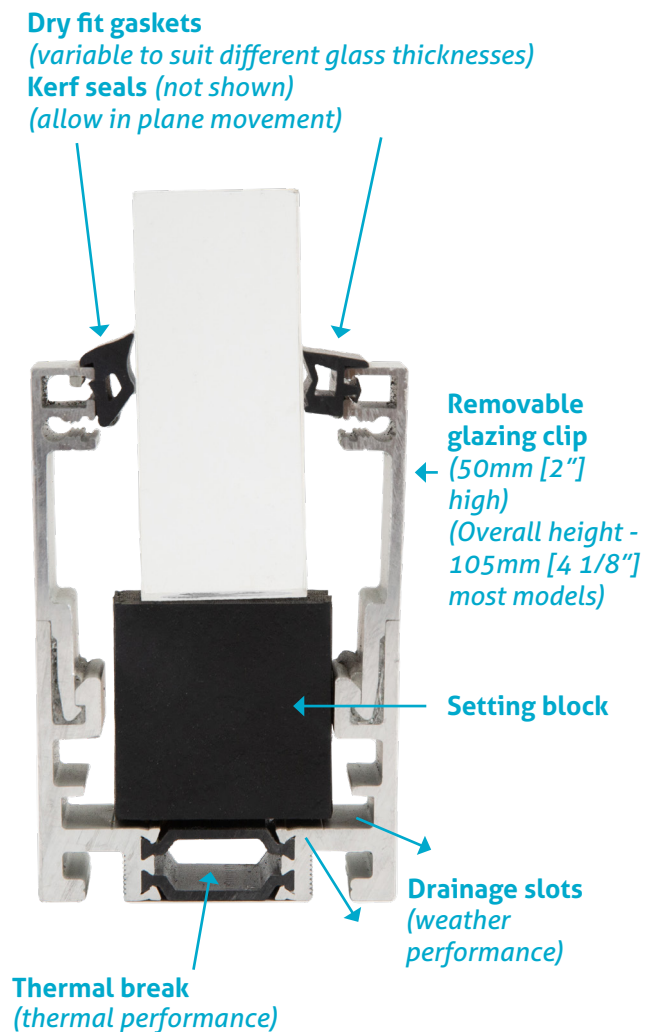
PERIMETER CHANNEL

Beginning as a companion part to Stella's structural glass walls, the labour-saving details of our perimeter channels have led to their popularity as a stand-alone glazing solution.

We now offer a complete family of perimeter channel systems to accommodate all your project needs.

PERIMETER CHANNEL ADVANTAGES

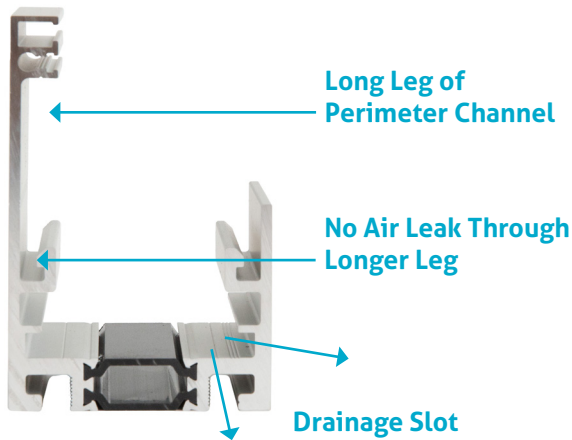
- Thermal break for **increased thermal performance**
- **Dry-glaze install** using wedge gasket (no need for silicone) results in:
 - Fast install
 - No wait for silicone to dry
 - Ease of glass replacement
 - Accommodation of building movement (silicone can stretch and tear)
- **Easy connection** - via joint connector hardware
- **DIY or fully-fabricated** – supplied in 3.65m [12'] lengths or cut to length
- **Versatile**
 - Base and side mounted options
 - Suitable for all types of structural walls (and more)
 - Glaze from inside or outside
- **Support at the side** – These channels carry the weight of the glass enabling it to be stacked (without transferring loads to panel below or requiring additional hardware at wall jambs) (optional ledge add-on)



For more information contact Stella Custom Glass Hardware

FEATURED PERIMETER CHANNEL DESIGN

Long Leg Option



Easier Install – Fixed long leg stays in place during install, reducing labour hours.

During typical perimeter channel install, glazing clips can fall into channel requiring second installer to be inside, propping up the clips.

Improved Envelope Performance - Longer leg eliminates potential air leakage

Glaze from Exterior or Interior

Handle with Care - Prevent potential damage before installation by ensuring site is aware of this element

MATERIAL INFO

Made of **6063-T5 aluminum**

- Lighter than steel
- Suitable for anodizing and painting

Finishes options include mill, anodized, painted, powder-coated, and brushed stainless steel cladding

STELLA ADVANTAGES

		"Typical" Metal Break Shape	Stella Perimeter Channels
Applications	Non-point-supported glass walls	✓	✓
	Point-supported glass walls	✓	✓
	Internal walls	✓	✓
Advantages	Ease of install	—	✓
	Ease of glass replacement	—	✓
	Great thermal performance	—	✓
	Accommodates system movements	—	✓

SYSTEM OPTIONS

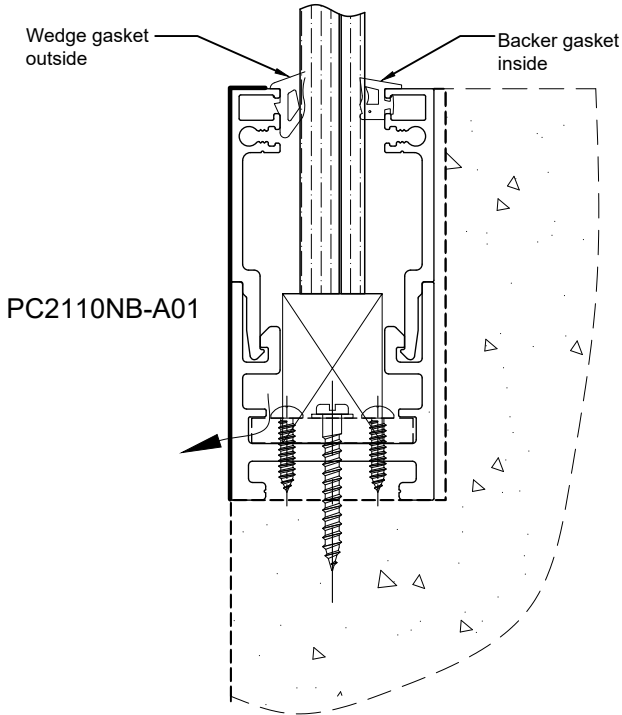
Perimeter Channel Series	Glass Thickness	Standard Product	Thermally Broken	Base Mount Option	Side Mount Option	Glazing Clips Both Sides	Long Leg Option one side
PC2108	10 to 19mm [3/8" to 3/4"]	✓	—	✓	✓	—	✓
PC2110	10 to 21.5mm [3/8" to 7/8"]	✓	—	✓	✓	✓	✓
PC2910	25 to 29mm [1" to 1 1/8"]	—	✓	✓	✓ *	✓	✓
PC3710	25.5 to 37.5mm [1" to 1 1/2"]	✓	✓	✓	✓ *	✓	✓
PC4510	43.5 to 45.5mm [1 11/16" to 1 13/16"]	—	✓	✓	✓ *	✓	✓
PC5510	55mm [2 1/8"]	—	✓	✓	✓ *	✓	✓
PC5711	55mm [2 1/8"] <i>(Note – 115mm [4 1/2"] tall vs. all others at 100mm [4"]</i>	—	✓	✓	✓ *	—	✓

* with support angle

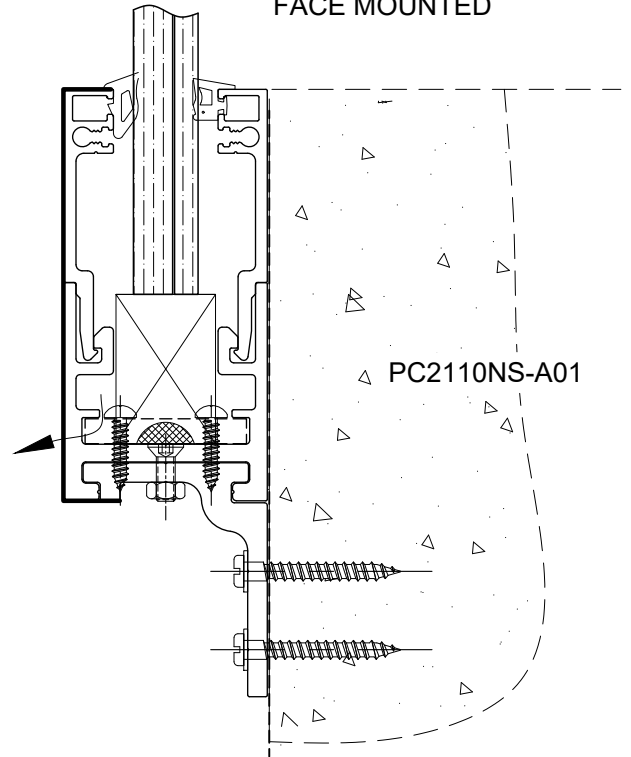
REV.	DATE	DESCRIPTION	DRAWN BY	CHECKED BY
0	2013-09-04	Drawing Release	RL	
1	2021-02-17	Material Information Updated	VK	AS

ITEM	PART	DESCRIPTION	MATERIAL	FINISH	QTY.
1	PC-2110	PERIMETER CHANNELS SERIES	ALUMINUM 6063 - T6	CLEAR ANODIZED	-

BOTTOM MOUNTED

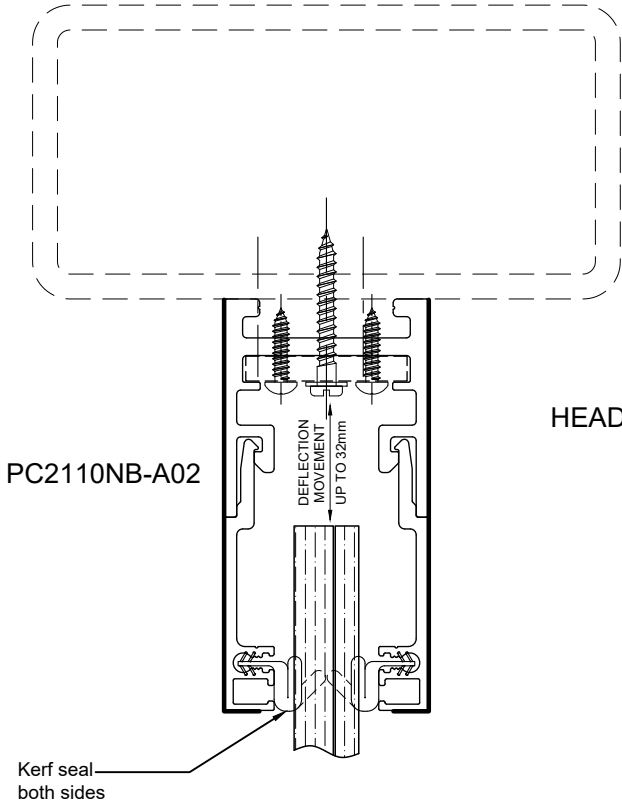


FACE MOUNTED

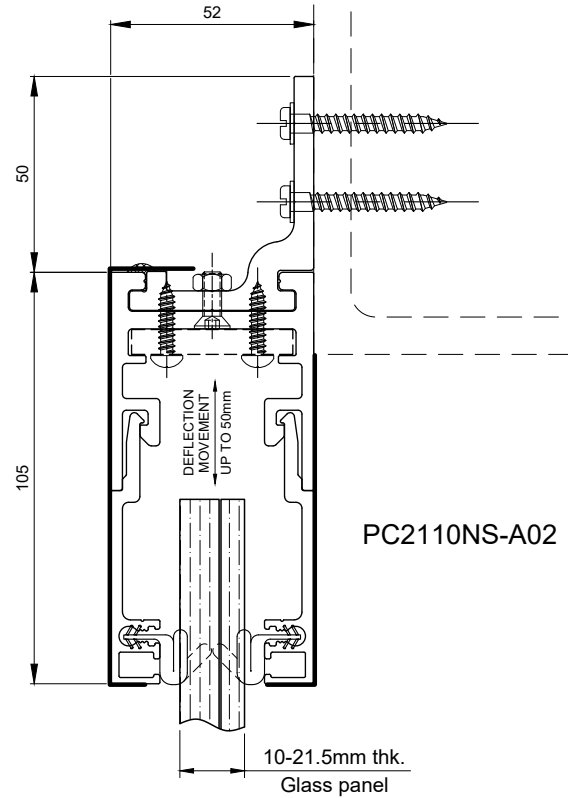


SILL DETAILS

TOP MOUNTED



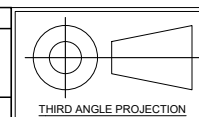
FACE MOUNTED



HEAD DETAILS

Notes:
1. Other finishes available upon request

CUSTOMER APPROVAL
SIGNATURE: _____
DATE: _____



SCALE
1:2
DWG No
PC-2110 SERIES

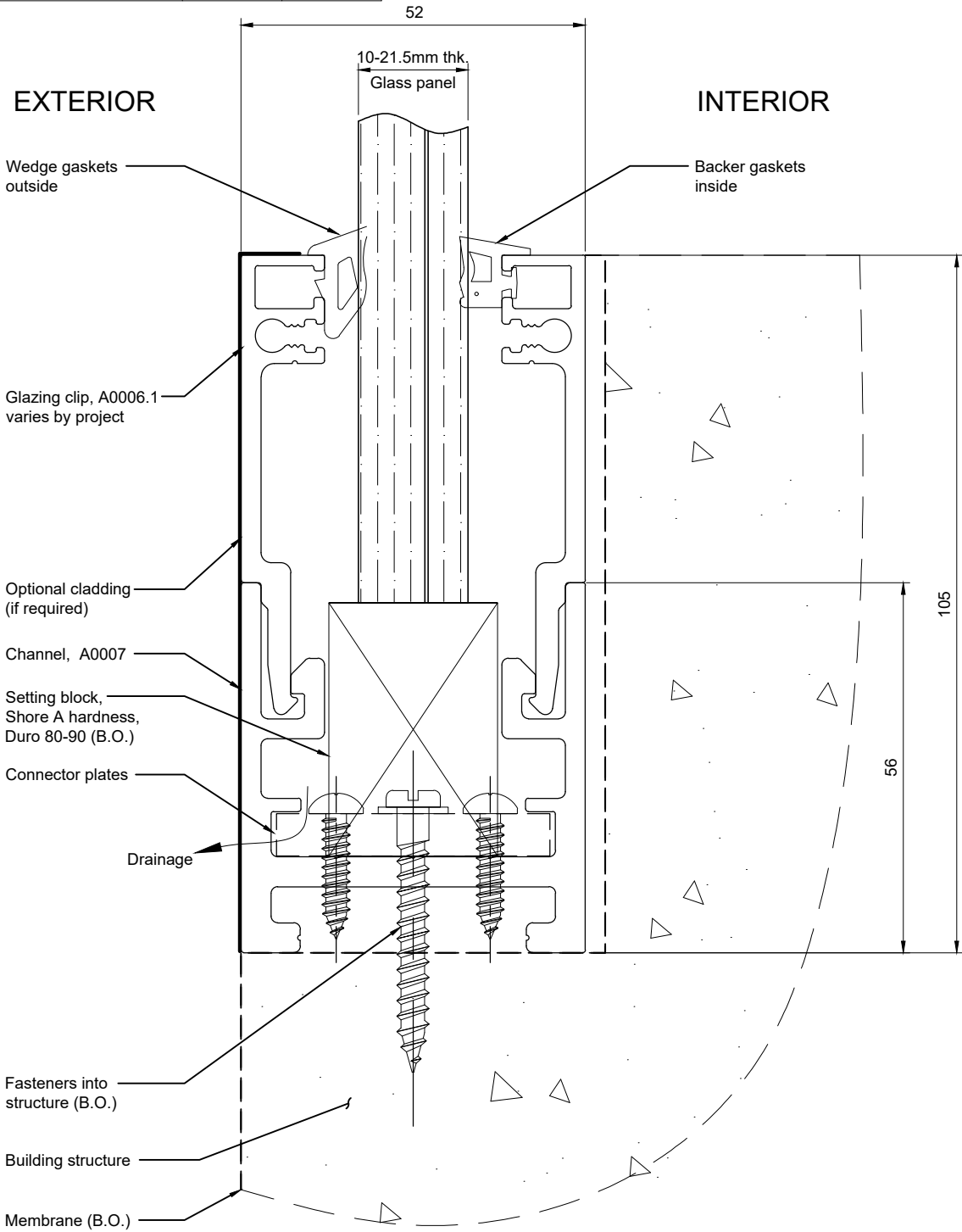


UNIT 105-8218 NORTH FRASER WAY, BURNABY, BC, V3N 0E9
TEL (604) 231 5892 WWW.STELLAGLASSHARDWARE.COM

PERIMETER CHANNELS
for MONOLITHIC OR LAMINATED GLASS UP TO 21.5mm THICK
PC-2110 SERIES

REV.	DATE	DESCRIPTION	DRAWN BY	CHECKED BY
0	2013-09-04	Drawing Release	RL	
1	2021-02-17	Material Information Updated	VK	AS

ITEM	PART	DESCRIPTION	MATERIAL	FINISH	QTY.
1	PC2110NB-A01	PERIMETER CHANNEL - BOTTOM MOUNTED	ALUMINUM 6063 - T6	CLEAR ANODIZED	-



SUBJECT TO CHANGE BY PROJECT

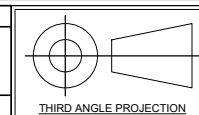
Notes:

1. Other finishes available upon request

For Cast Part: Tolerances (ISO 8062-CT6), (mm) Unless Specified Otherwise									
NOM. DIMENSION	0 TO 10	10 TO 16	16 TO 25	25 TO 40	40 TO 63	63 TO 100	100 TO 160	160 TO 250	250 TO 400
TOLERANCE	±0.26	±0.27	±0.29	±0.32	±0.35	±0.39	±0.44	±0.50	±0.55
CASTING ANGLE TOLERANCE: ±0.5°									

CUSTOMER APPROVAL
SIGNATURE:

DATE:



SCALE
1:1
DWG No
PC2110NB-A01

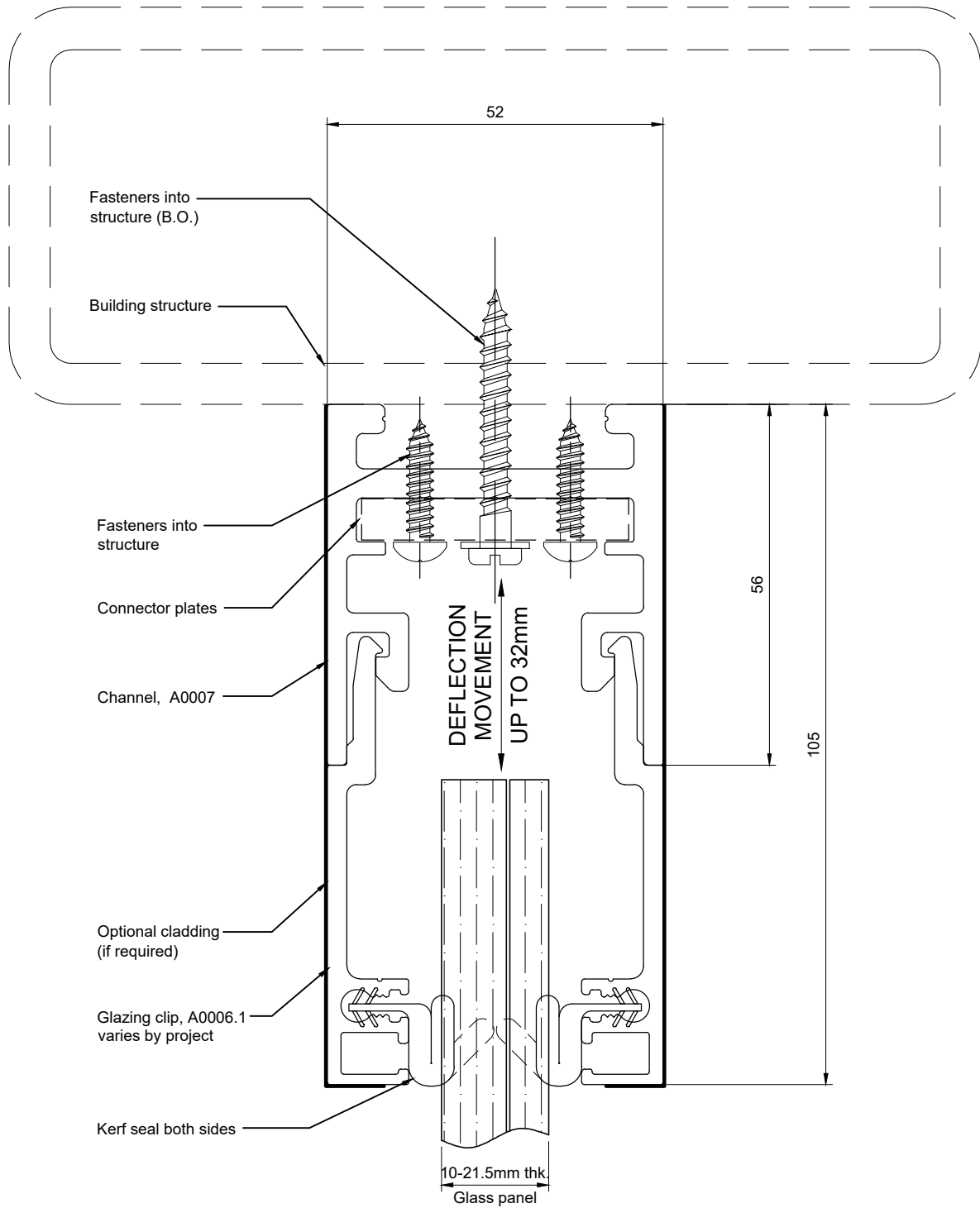


UNIT 105-8218 NORTH FRASER WAY, BURNABY, BC, V3N 0E9
TEL (604) 231 5892 WWW.STELLAGLASSHARDWARE.COM

**PERIMETER CHANNEL
for MONOLITHIC OR LAMINATED GLASS UP TO 21.5mm THICK
SILL DETAIL - BOTTOM MOUNTED**

REV.	DATE	DESCRIPTION	DRAWN BY	CHECKED BY
0	2013-09-04	Drawing Release	RL	
1	2021-02-17	Material Information Updated	VK	AS

ITEM	PART	DESCRIPTION	MATERIAL	FINISH	QTY.
1	PC-2110	PERIMETER CHANNELS SERIES	ALUMINUM 6063 - T6	CLEAR ANODIZED	-



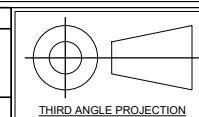
SUBJECT TO CHANGE BY PROJECT

Notes:

1. Other finishes available upon request

For Cast Part: Tolerances (ISO 8062-CT6), (mm) Unless Specified Otherwise									
NOM. DIMENSION	0 TO 10	10 TO 16	16 TO 25	25 TO 40	40 TO 63	63 TO 100	100 TO 160	160 TO 250	250 TO 400
TOLERANCE	±0.26	±0.27	±0.29	±0.32	±0.35	±0.39	±0.44	±0.50	±0.55
CASTING ANGLE TOLERANCE: ±0.5°									

CUSTOMER APPROVAL
SIGNATURE:
DATE:



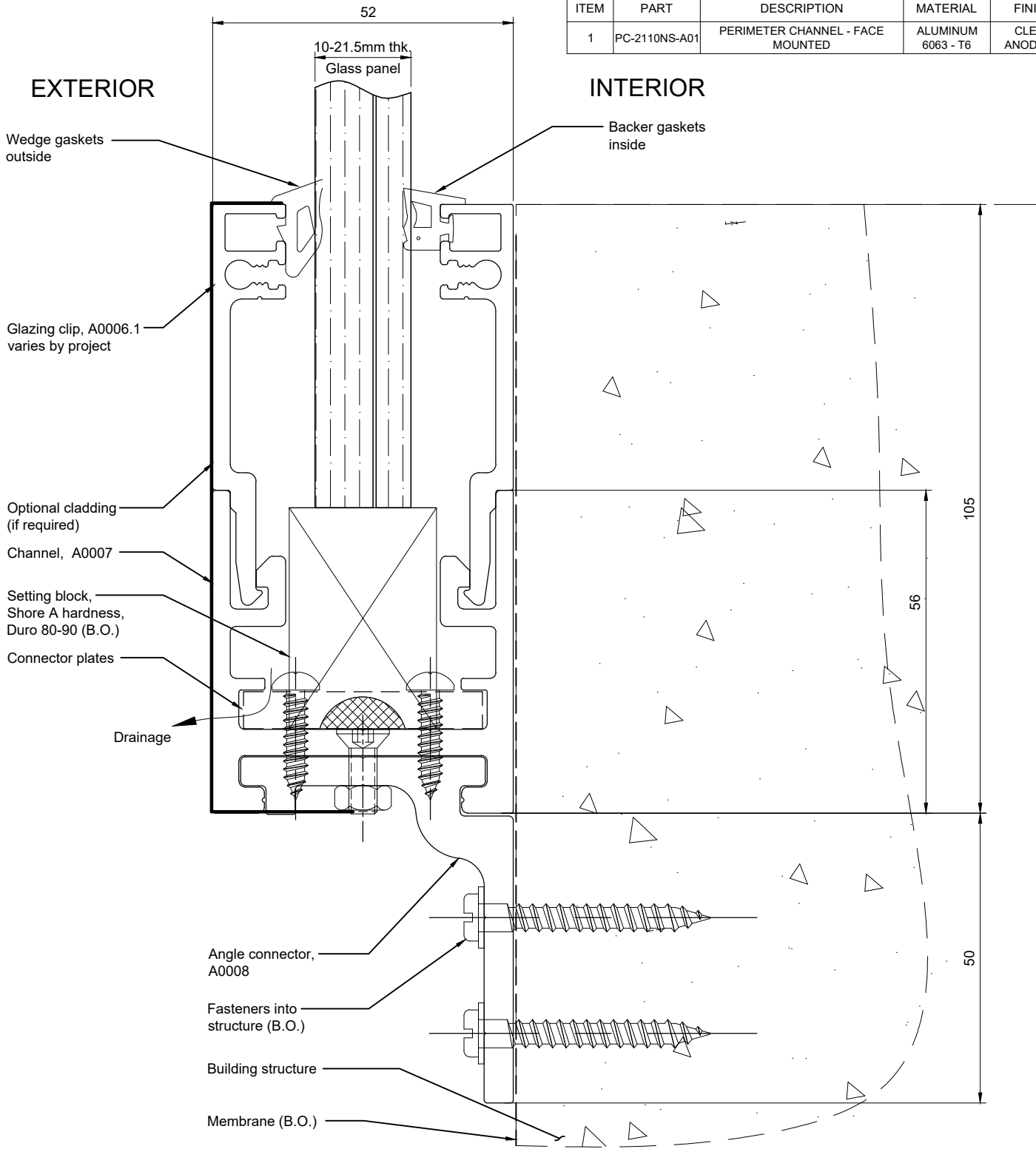
SCALE
1:1
DWG No
PC-2110NB-A02



UNIT 105-8218 NORTH FRASER WAY, BURNABY, BC, V3N 0E9
TEL (604) 231 5892 WWW.STELLAGLASSHARDWARE.COM

PERIMETER CHANNEL
for MONOLITHIC OR LAMINATED GLASS UP TO 21.5mm THICK
HEAD DETAIL - TOP MOUNTED

ITEM	PART	DESCRIPTION	MATERIAL	FINISH	QTY.
1	PC-2110NS-A01	PERIMETER CHANNEL - FACE MOUNTED	ALUMINUM 6063 - T6	CLEAR ANODIZED	-



SUBJECT TO CHANGE BY PROJECT

Notes:

1. Other finishes available upon request

For Cast Part: Tolerances (ISO 8062-CT6), (mm) Unless Specified Otherwise

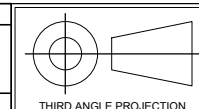
NOM. DIMENSION	0 TO 10	10 TO 16	16 TO 25	25 TO 40	40 TO 63	63 TO 100	100 TO 160	160 TO 250	250 TO 400
TOLERANCE	±0.26	±0.27	±0.29	±0.32	±0.35	±0.39	±0.44	±0.50	±0.55

CASTING ANGLE TOLERANCE: ±0.5°

REV.	DATE	DESCRIPTION	DRAWN BY	CHECKED BY
0	2013-09-04	Drawing Release	RL	
1	2021-02-17	Material Information Updated	VK	AS

CUSTOMER APPROVAL SIGNATURE:

DATE:



SCALE

1:1

DWG No

PC-2110NS-A01

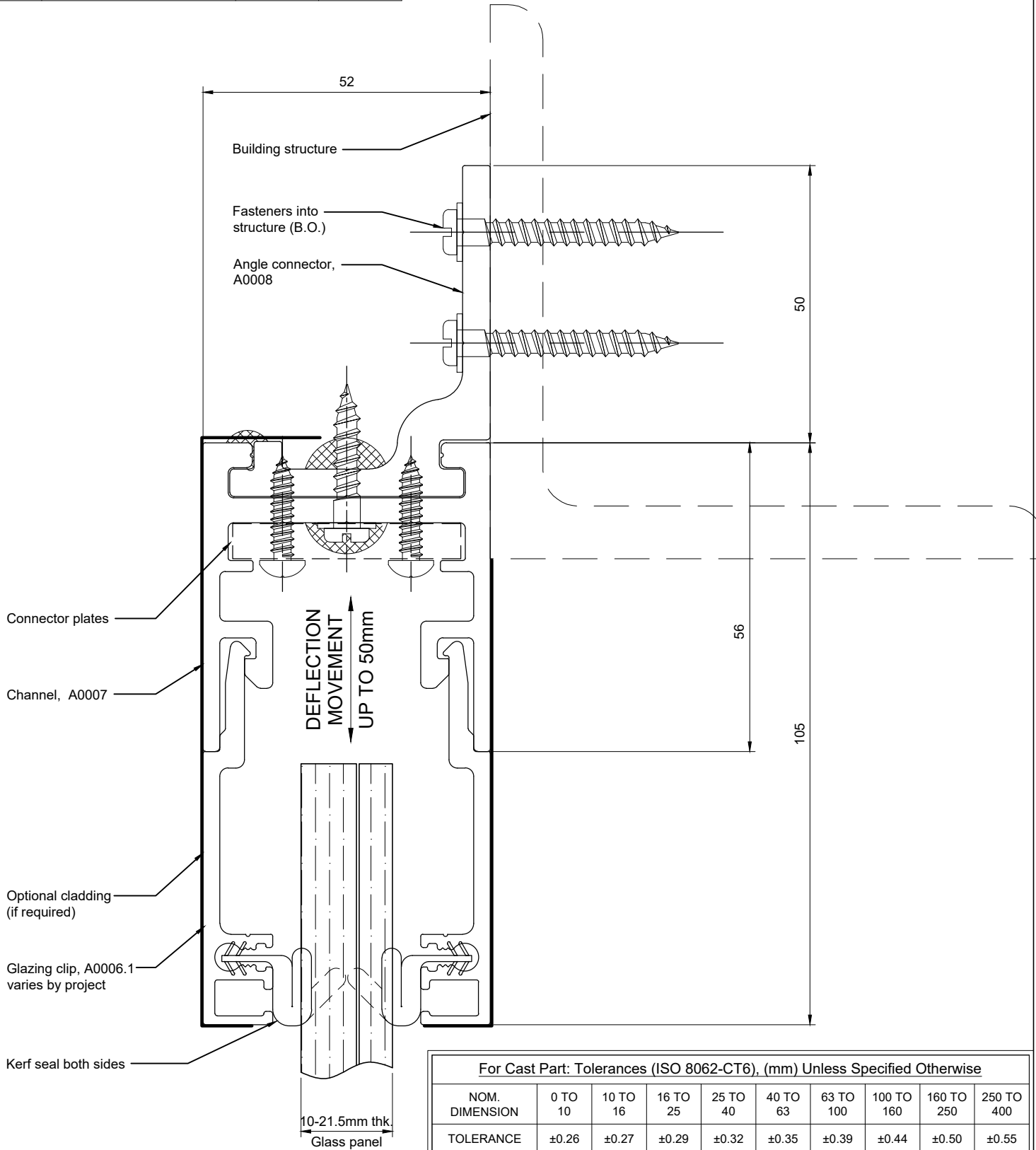


UNIT 105-8218 NORTH FRASER WAY, BURNABY, BC, V3N 0E9
TEL (604) 231 5892 WWW.STELLAGLASSHARDWARE.COM

PERIMETER CHANNEL
for MONOLITHIC OR LAMINATED GLASS UP TO 21.5mm THICK
SILL DETAIL - FACE MOUNTED

REV.	DATE	DESCRIPTION	DRAWN BY	CHECKED BY
0	2013-09-04	Drawing Release	RL	
1	2021-02-17	Material Information Updated	VK	AS

ITEM	PART	DESCRIPTION	MATERIAL	FINISH	QTY.
1	PC-2110	PERIMETER CHANNELS SERIES	ALUMINUM 6063 - T6	CLEAR ANODIZED	-



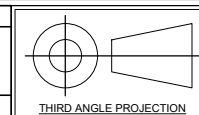
For Cast Part: Tolerances (ISO 8062-CT6), (mm) Unless Specified Otherwise									
NOM. DIMENSION	0 TO 10	10 TO 16	16 TO 25	25 TO 40	40 TO 63	63 TO 100	100 TO 160	160 TO 250	250 TO 400
TOLERANCE	±0.26	±0.27	±0.29	±0.32	±0.35	±0.39	±0.44	±0.50	±0.55
CASTING ANGLE TOLERANCE: ±0.5°									

SUBJECT TO CHANGE BY PROJECT

Notes:

- 1. Other finishes available upon request

CUSTOMER APPROVAL
SIGNATURE: _____
DATE: _____



SCALE
1:1
DWG No
PC-2110NS-A02



UNIT 105-8218 NORTH FRASER WAY, BURNABY, BC, V3N 0E9
TEL (604) 231 5892 WWW.STELLAGLASSHARDWARE.COM

PERIMETER CHANNEL
for MONOLITHIC OR LAMINATED GLASS UP TO 21.5mm THICK
HEAD DETAIL - FACE MOUNTED