

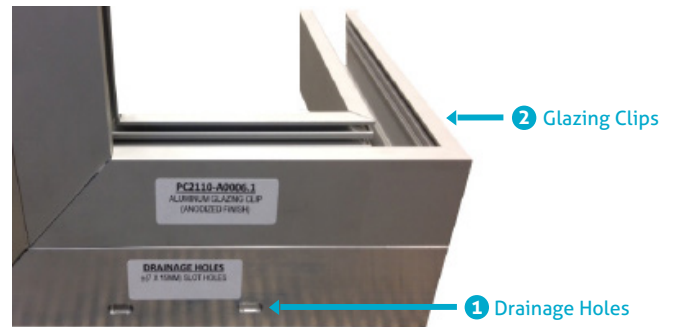
# PERIMETER CHANNEL

## PC2110/PC3710

The PC2110 and PC 3710 Perimeter Channels were designed to provide a versatile aluminum channel system. It comes in stock length of 12 feet. It eliminates the need for wet silicone sealing by providing dry fitted glazing gaskets. Removable glazing clips allows for easy installation of thick, heavy panels of glass. Shelf brackets allow the glass to be stacked without transferring loads to the panel below. Both systems also accommodate top or side finishing to the surrounding surface.

### Advantages

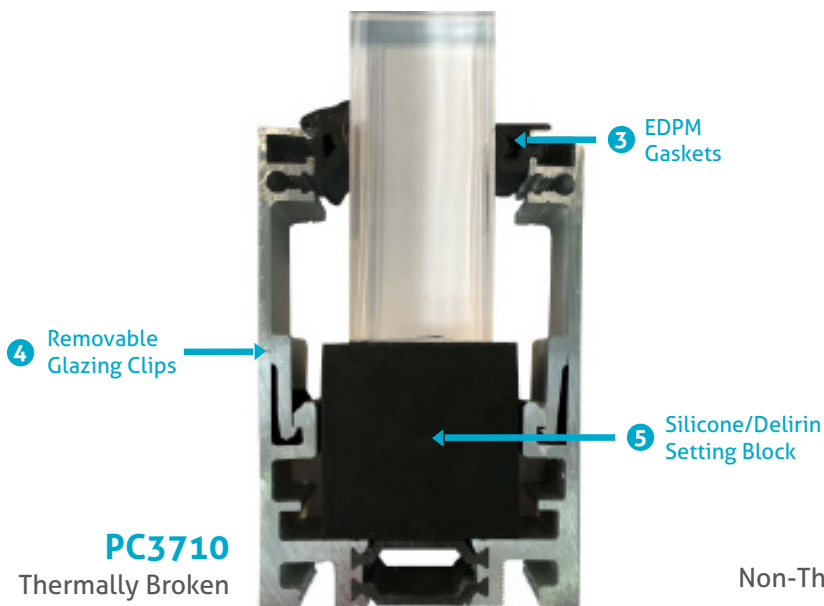
- 1 Drainage holes for weather resistance
- 2 Glazing clips allow the glass to be positioned first then clipped into place.
- 3 "T" junctions and slide and shelf brackets for easy and neat joint connections
- 4 Simply change the gasket types for varying glass thickness ( Kerf seal gaskets allows in plane movement of the glass in some situations).
- 5 Glazing clips for easy glass installation.



### Cross-Section Samples

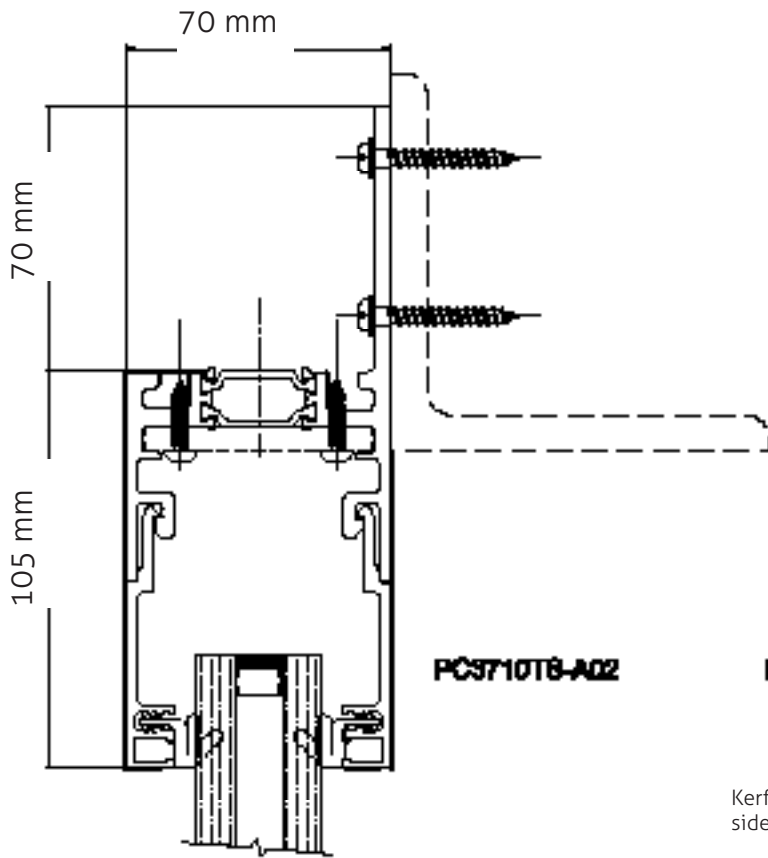
The system is shown with gaskets in place and glazing clips installed. ▼

▲ Installation Sample showing glazing clips and drainage holes (left) and shelf brackets (right)

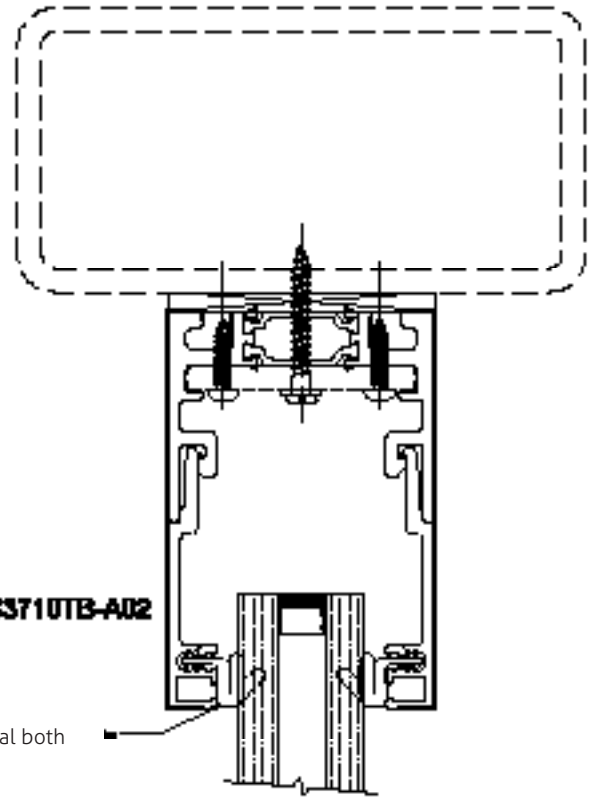


\*glass thickness minimum: 25.4 mm  
\*glass thickness maximum: 37.5 mm

\*glass thickness minimum: 10 mm  
\*glass thickness maximum: 21.5 mm



SIDE-MOUNTED



FACE-MOUNTED

**THERMALLY BROKEN**

