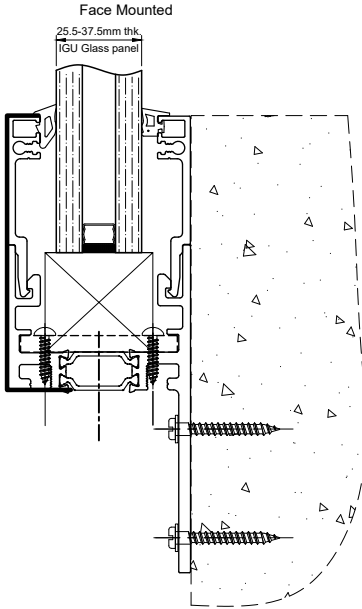


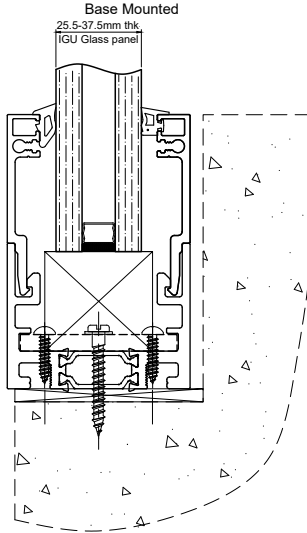
REV.	DATE	DESCRIPTION	DRAWN BY	CHECKED BY
1	2020-09-15	INITIAL RELEASE	VK	AS

ITEM	PART	DESCRIPTION	MATERIAL	FINISH	QTY.
1	PC-3710T S-A01	THERMALLY BROKEN PERIMETER CHANNELS - FACE MOUNTED	ALUMINUM 6063-T6	CLEAR ANODIZED	-

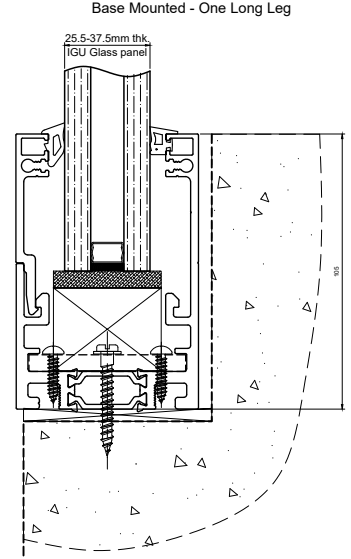
Side Details



PC3710TS-A01

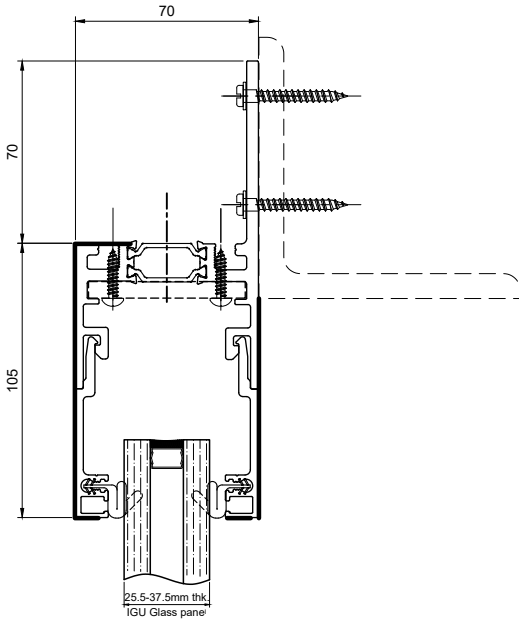


PC3710TB-A01

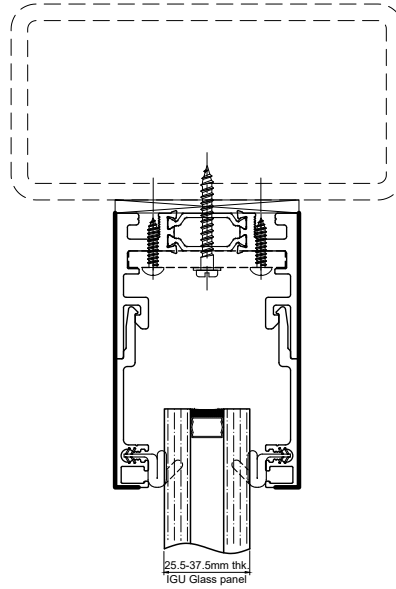


PC3710TB-A05

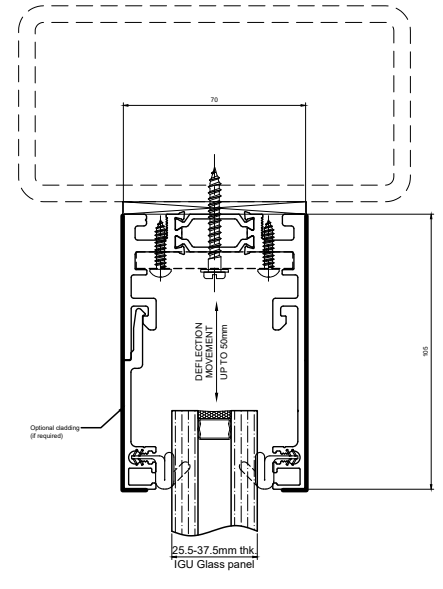
Head Details



PC3710TS-A02



PC3710TB-A02



PC3710TB-A06

For Cast Part: Tolerances (ISO 8062-CT6), (mm) Unless Specified Otherwise

NOM. DIMENSION	0 TO 10	10 TO 16	16 TO 25	25 TO 40	40 TO 63	63 TO 100	100 TO 160	160 TO 250	250 TO 400
TOLERANCE	±0.26	±0.27	±0.29	±0.32	±0.35	±0.39	±0.44	±0.50	±0.55

CASTING ANGLE TOLERANCE: ±0.5°

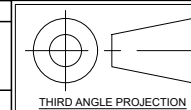
Notes:

- Other finishes available upon request

CUSTOMER APPROVAL

SIGNATURE:

DATE:



THIRD ANGLE PROJECTION

SCALE

1:3

DWG No

PC-3710 SERIES

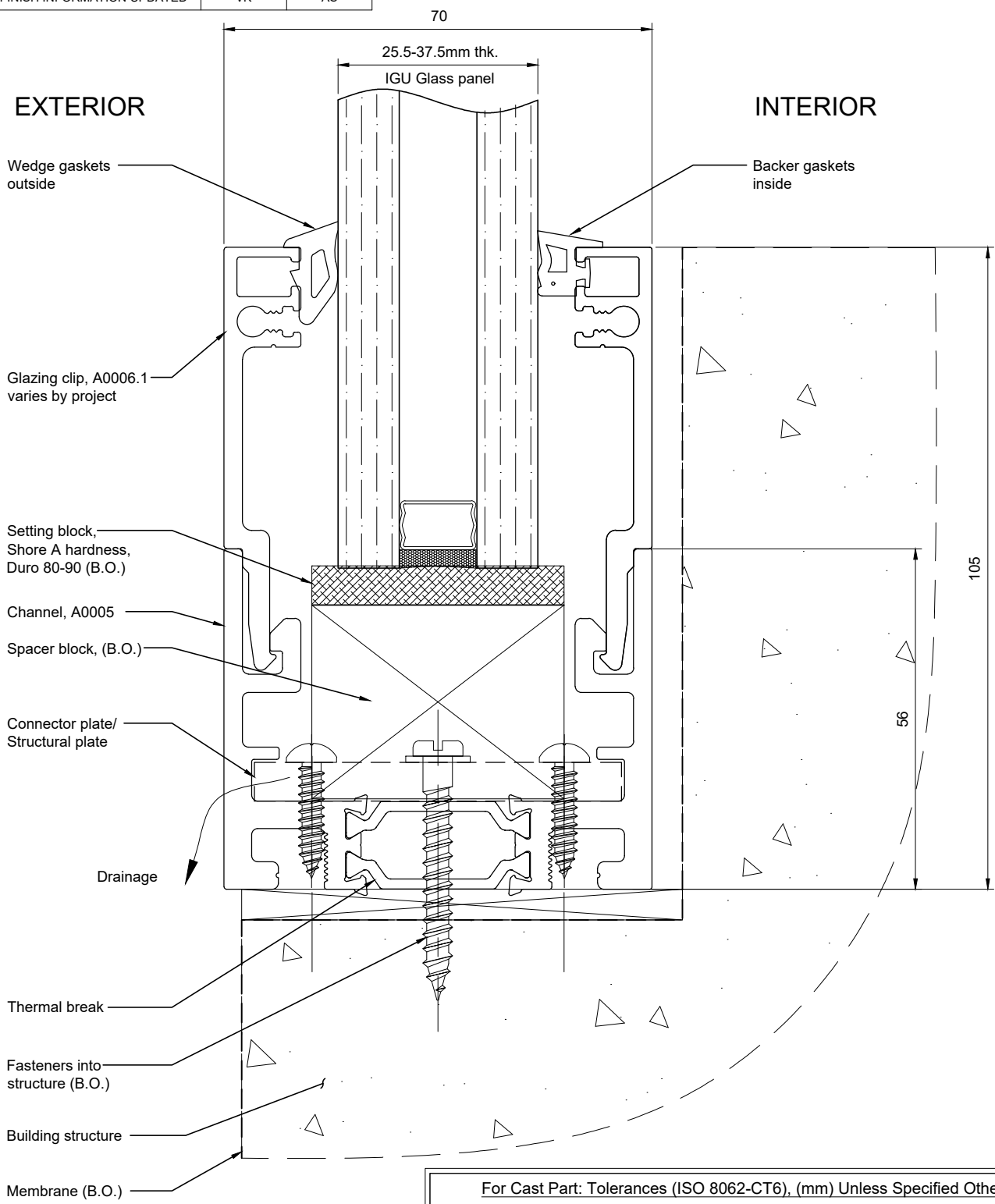


UNIT 105-8218 NORTH FRASER WAY, BURNABY, BC, V3N 0E9
TEL (604) 231 5892 WWW.STELLAGLASSHARDWARE.COM

THERMALLY BROKEN PERIMETER CHANNELS
for SEALED GLASS UNITS UP TO 37.5mm THICK
PC-3710 SERIES

REV.	DATE	DESCRIPTION	DRAWN BY	CHECKED BY
1	2014-04-07	INITIAL RELEASE	RL	RL
2	2021-02-17	FINISH INFORMATION UPDATED	VK	AS

ITEM	PART	DESCRIPTION	MATERIAL	FINISH	QTY.
1	PC3710TB-A01	THERMALLY BROKEN PERIMETER CHANNELS - BOTTOM MOUNTED	ALUMINUM 6063-T6	CLEAR ANODIZED	-



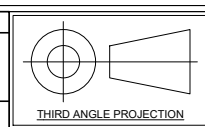
SUBJECT TO CHANGE BY PROJECT

Notes:
1. Other finishes available upon request

For Cast Part: Tolerances (ISO 8062-CT6), (mm) Unless Specified Otherwise									
NOM. DIMENSION	0 TO 10	10 TO 16	16 TO 25	25 TO 40	40 TO 63	63 TO 100	100 TO 160	160 TO 250	250 TO 400
TOLERANCE	±0.26	±0.27	±0.29	±0.32	±0.35	±0.39	±0.44	±0.50	±0.55
CASTING ANGLE TOLERANCE: ±0.5°									

CUSTOMER APPROVAL
SIGNATURE:

DATE:



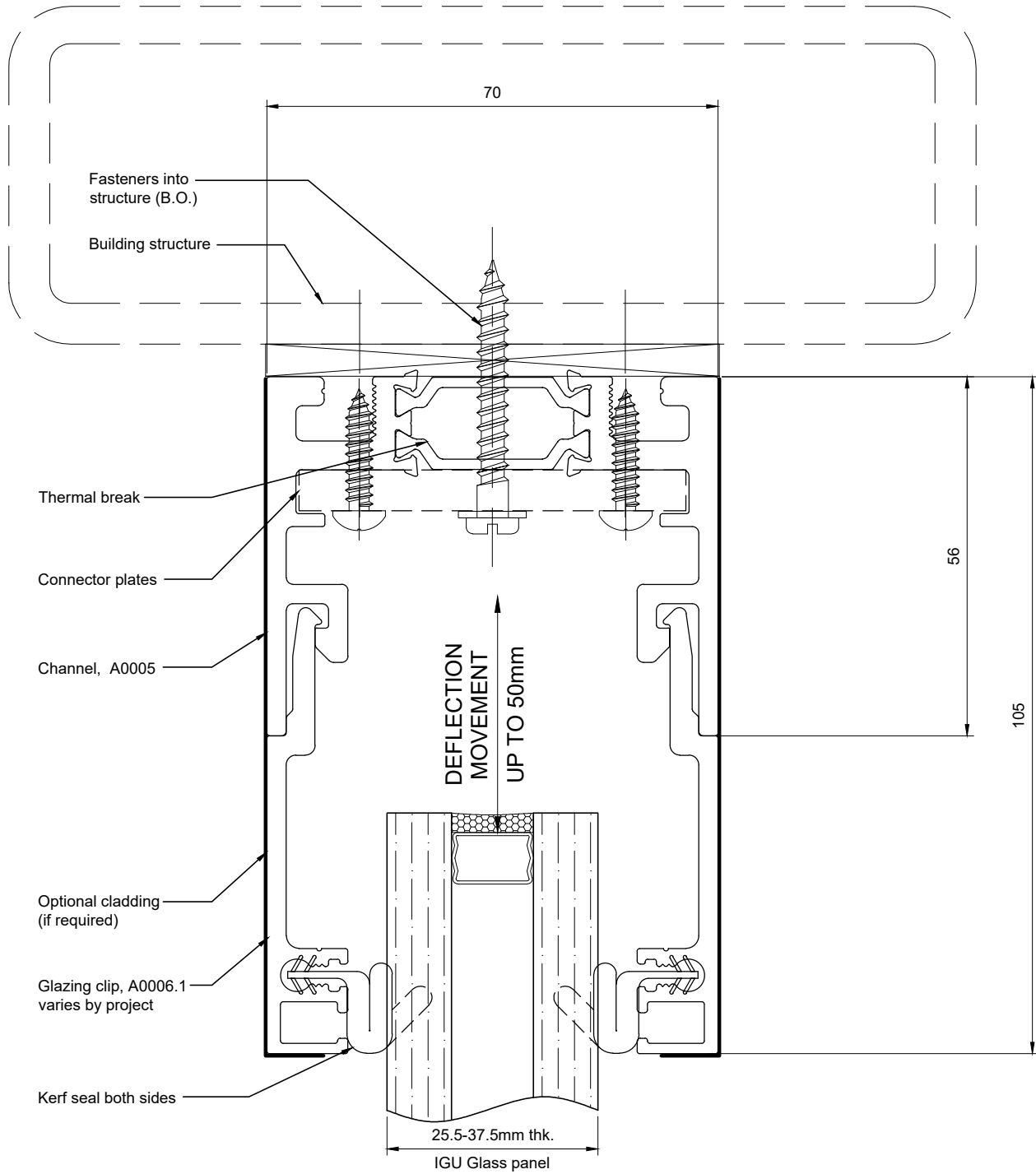
THERMALLY BROKEN PERIMETER CHANNELS
for SEALED GLASS UNITS UP TO 37mm THICK
SILL DETAIL - BOTTOM MOUNTED

SCALE
1:1
DWG No
PC3710TB-A01

UNIT 105-8218 NORTH FRASER WAY, BURNABY, BC, V3N 0E9
TEL (604) 231 5892 WWW.STELLAGLASSHARDWARE.COM

REV.	DATE	DESCRIPTION	DRAWN BY	CHECKED BY
1	2014-04-07	INITIAL RELEASE	RL	RL
2	2021-02-17	FINISH INFORMATION UPDATED	VK	AS

ITEM	PART	DESCRIPTION	MATERIAL	FINISH	QTY.
1	PC-3710T B-A02	THERMALLY BROKEN PERIMETER CHANNELS - TOP MOUNTED	ALUMINUM 6063-T6	CLEAR ANODIZED	-



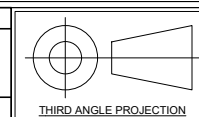
SUBJECT TO CHANGE BY PROJECT

Notes:

1. Other finishes available upon request

For Cast Part: Tolerances (ISO 8062-CT6), (mm) Unless Specified Otherwise									
NOM. DIMENSION	0 TO 10	10 TO 16	16 TO 25	25 TO 40	40 TO 63	63 TO 100	100 TO 160	160 TO 250	250 TO 400
TOLERANCE	±0.26	±0.27	±0.29	±0.32	±0.35	±0.39	±0.44	±0.50	±0.55
CASTING ANGLE TOLERANCE: ±0.5°									

CUSTOMER APPROVAL
SIGNATURE: _____
DATE: _____



SCALE
1:1
DWG No
PC-3710TB-A02

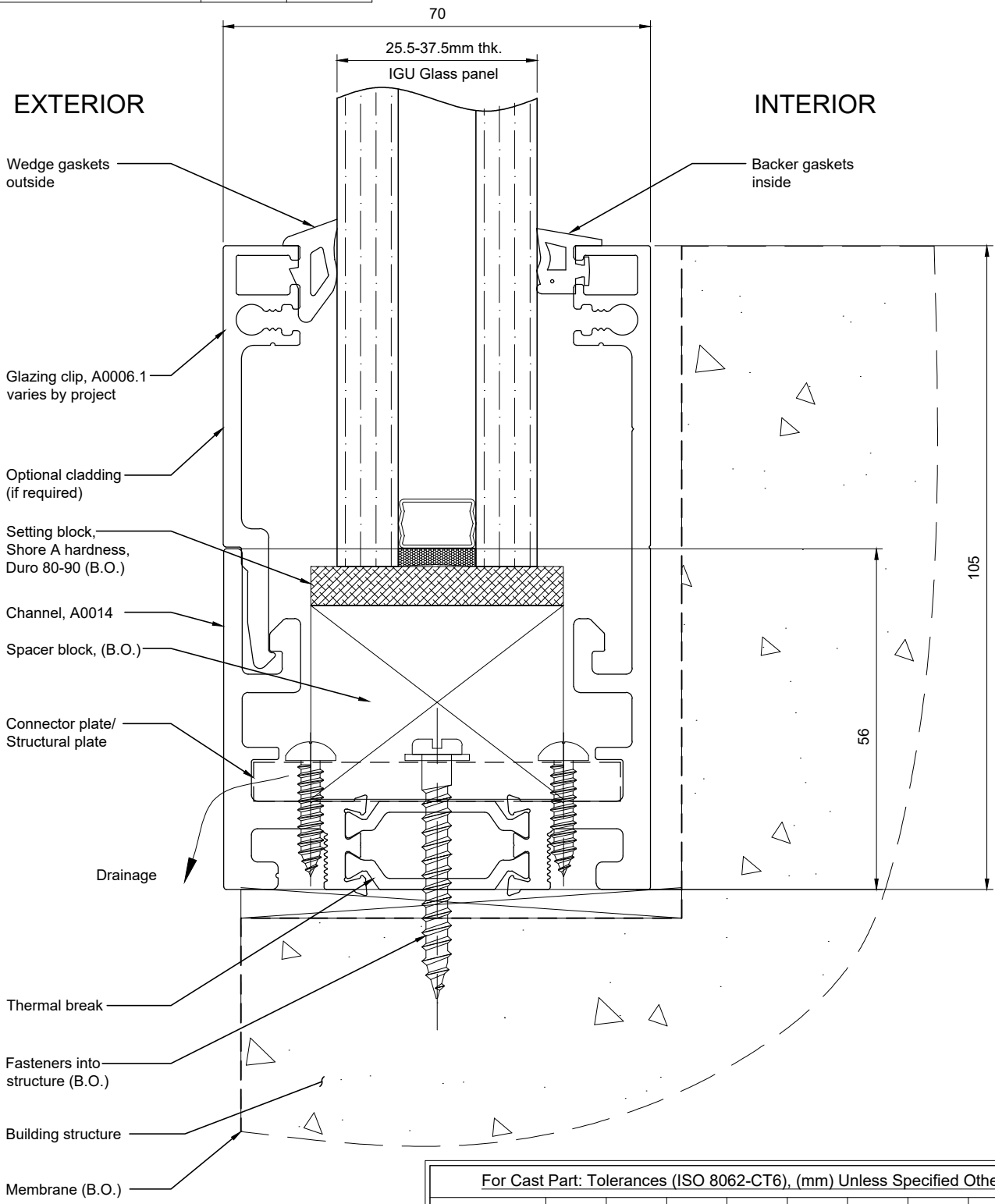


UNIT 105-8218 NORTH FRASER WAY, BURNABY, BC, V3N 0E9
TEL (604) 231 5892 WWW.STELLAGLASSHARDWARE.COM

THERMALLY BROKEN PERIMETER CHANNELS
for SEALED GLASS UNITS UP TO 37mm THICK
HEAD DETAIL - TOP MOUNTED

REV.	DATE	DESCRIPTION	DRAWN BY	CHECKED BY
1	2014-04-07	INITIAL RELEASE	RL	RL
2	2021-02-17	FINISH INFORMATION UPDATED	VK	AS

ITEM	PART	DESCRIPTION	MATERIAL	FINISH	QTY.
1	PC3710TB-A05	THERMALLY BROKEN PERIMETER CHANNELS - BOTTOM MOUNTED - LONG LEG	ALUMINUM 6063-T6	CLEAR ANODIZED	-



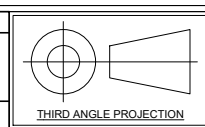
SUBJECT TO CHANGE BY PROJECT

Notes:
1. Other finishes available upon request

For Cast Part: Tolerances (ISO 8062-CT6), (mm) Unless Specified Otherwise									
NOM. DIMENSION	0 TO 10	10 TO 16	16 TO 25	25 TO 40	40 TO 63	63 TO 100	100 TO 160	160 TO 250	250 TO 400
TOLERANCE	±0.26	±0.27	±0.29	±0.32	±0.35	±0.39	±0.44	±0.50	±0.55
CASTING ANGLE TOLERANCE: ±0.5°									

CUSTOMER APPROVAL
SIGNATURE:

DATE:



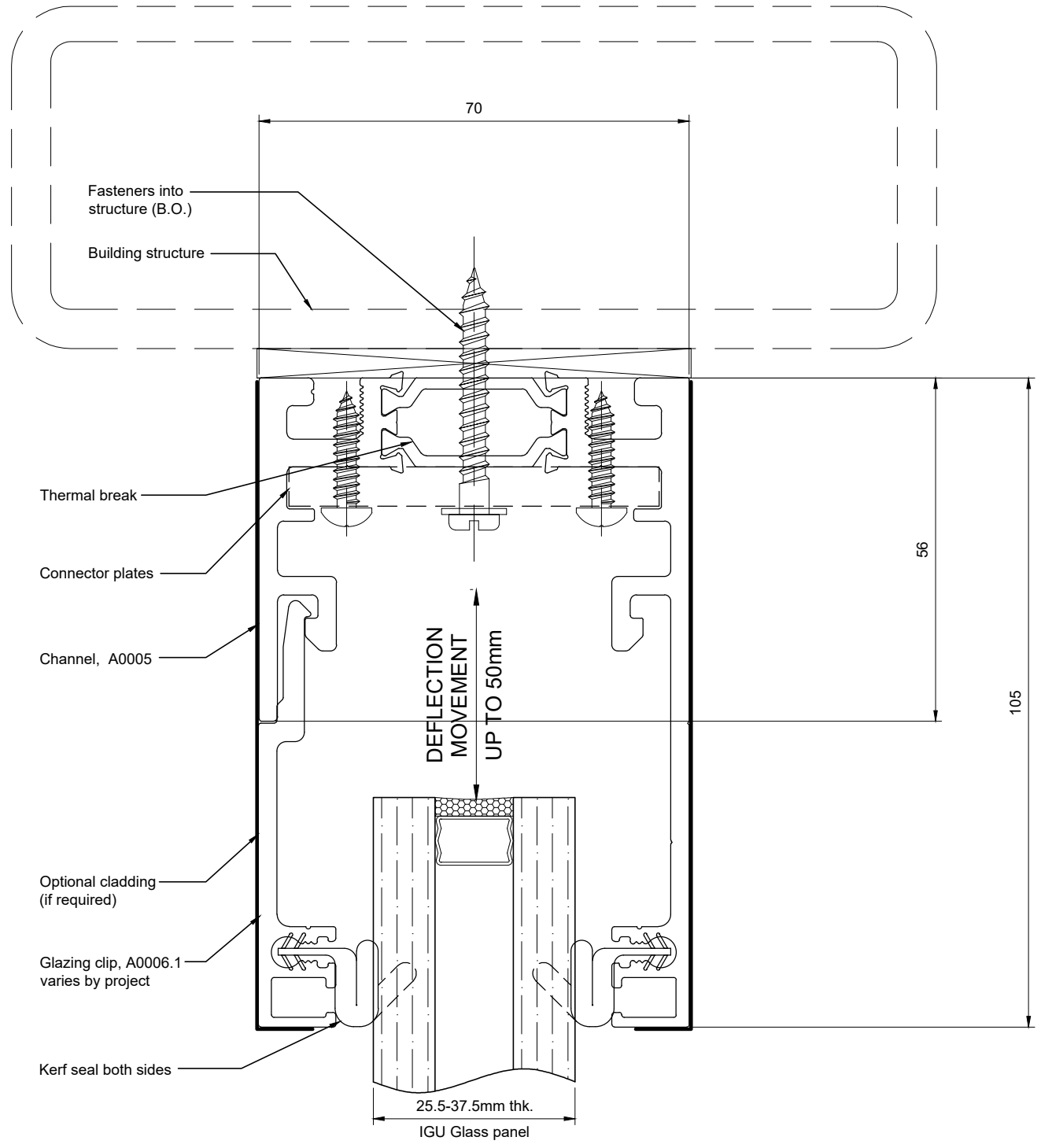
THERMALLY BROKEN PERIMETER CHANNELS
for SEALED GLASS UNITS UP TO 37mm THICK
SILL DETAIL - BOTTOM MOUNTED - LONG LEG

SCALE
1:1
DWG No
PC3710TB-A05

UNIT 105-8218 NORTH FRASER WAY, BURNABY, BC, V3N 0E9
TEL (604) 231 5892 WWW.STELLAGLASSHARDWARE.COM

REV.	DATE	DESCRIPTION	DRAWN BY	CHECKED BY
1	2014-04-07	INITIAL RELEASE	RL	RL
2	2021-02-17	FINISH INFORMATION UPDATED	VK	AS

ITEM	PART	DESCRIPTION	MATERIAL	FINISH	QTY.
1	PC-3710T B-A06	THERMALLY BROKEN PERIMETER CHANNELS - TOP MOUNTED - ONE LONG LEG	ALUMINUM 6063-T6	CLEAR ANODIZED	-



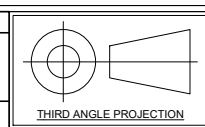
For Cast Part: Tolerances (ISO 8062-CT6), (mm) Unless Specified Otherwise									
NOM. DIMENSION	0 TO 10	10 TO 16	16 TO 25	25 TO 40	40 TO 63	63 TO 100	100 TO 160	160 TO 250	250 TO 400
TOLERANCE	±0.26	±0.27	±0.29	±0.32	±0.35	±0.39	±0.44	±0.50	±0.55
CASTING ANGLE TOLERANCE: ±0.5°									

SUBJECT TO CHANGE BY PROJECT

Notes:
1. Other finishes available upon request

CUSTOMER APPROVAL
SIGNATURE:

DATE:

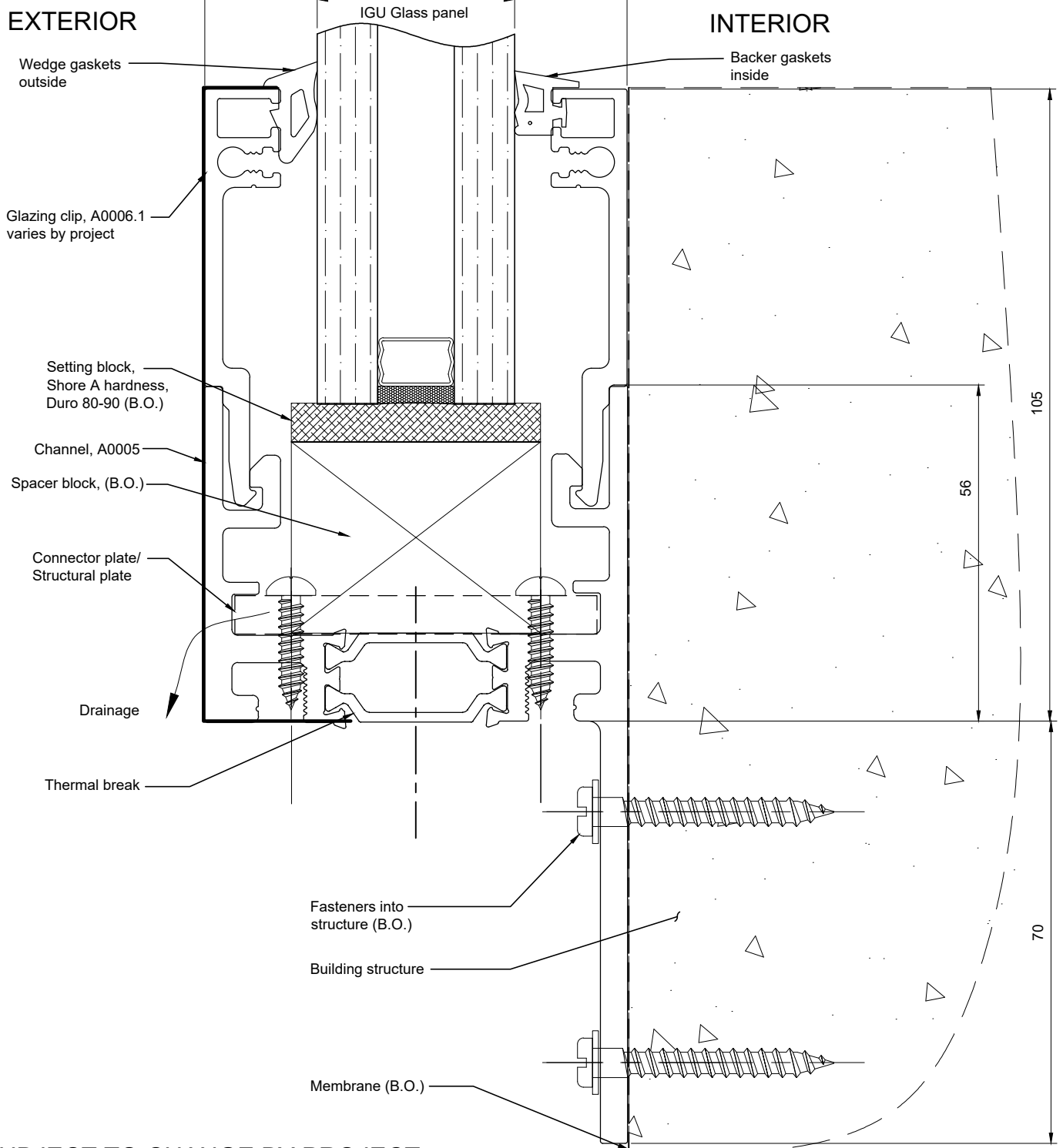


THERMALLY BROKEN PERIMETER CHANNELS
for SEALED GLASS UNITS UP TO 37mm THICK
HEAD DETAIL - TOP MOUNTED - ONE LONG LEG

SCALE
1:1
DWG No
PC-3710TB-A06

UNIT 105-8218 NORTH FRASER WAY, BURNABY, BC, V3N 0E9
TEL (604) 231 5892 WWW.STELLAGLASSHARDWARE.COM

ITEM	PART	DESCRIPTION	MATERIAL	FINISH	QTY.
1	PC-3710T S-A01	THERMALLY BROKEN PERIMETER CHANNELS - FACE MOUNTED	ALUMINUM 6063-T6	CLEAR ANODIZED	-



SUBJECT TO CHANGE BY PROJECT

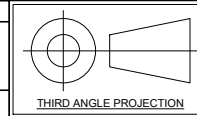
Notes:
1. Other finishes available upon request

For Cast Part: Tolerances (ISO 8062-CT6), (mm) Unless Specified Otherwise									
NOM. DIMENSION	0 TO 10	10 TO 16	16 TO 25	25 TO 40	40 TO 63	63 TO 100	100 TO 160	160 TO 250	250 TO 400
TOLERANCE	±0.26	±0.27	±0.29	±0.32	±0.35	±0.39	±0.44	±0.50	±0.55
CASTING ANGLE TOLERANCE: ±0.5°									

REV.	DATE	DESCRIPTION	DRAWN BY	CHECKED BY
1	2014-04-07	INITIAL RELEASE	RL	RL
2	2021-02-17	FINISH INFORMATION UPDATED	VK	AS

CUSTOMER APPROVAL SIGNATURE: _____

DATE: _____



SCALE
1:1

DWG No
PC-3710TS-A01

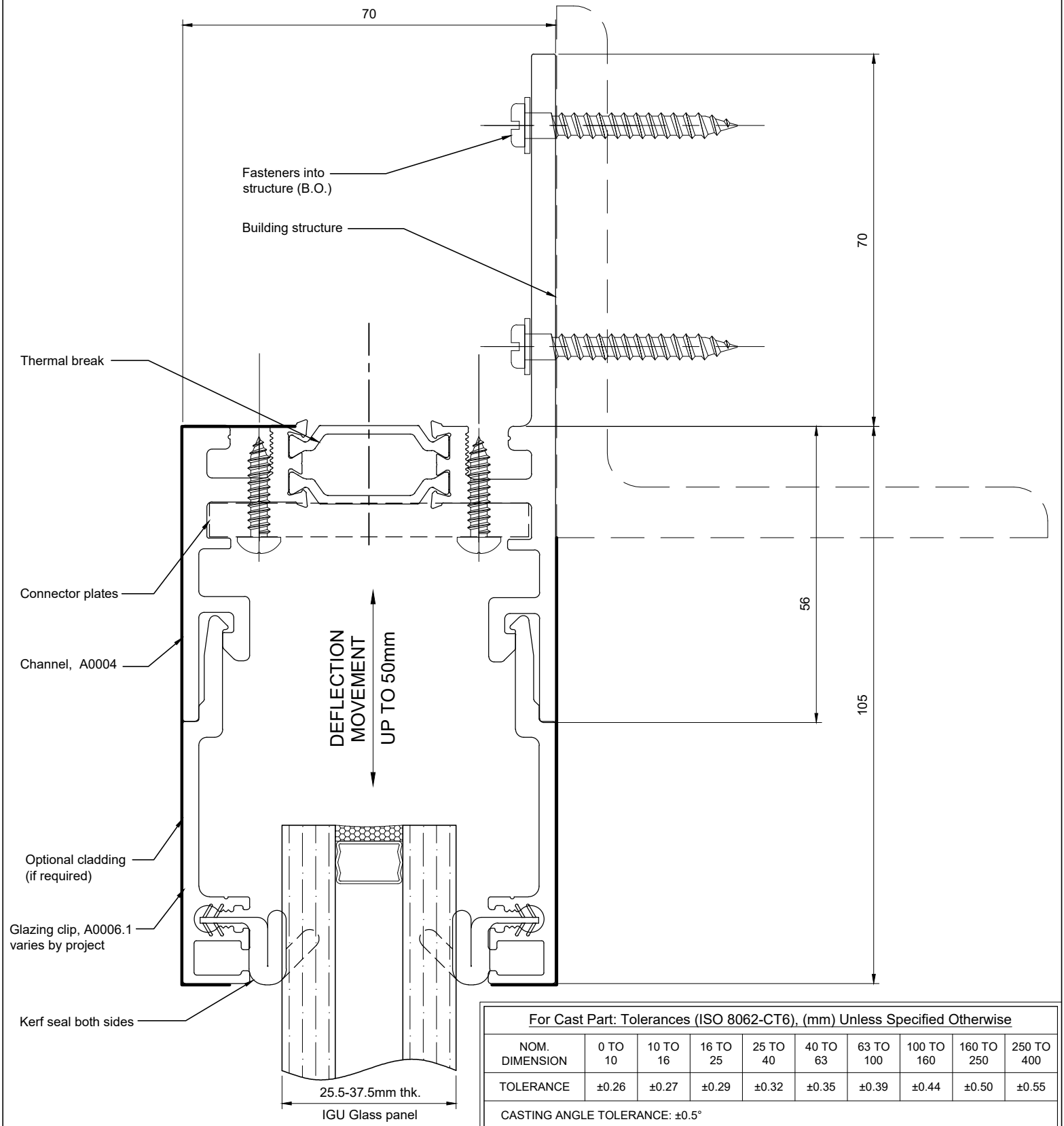
stella

UNIT 105-8218 NORTH FRASER WAY, BURNABY, BC, V3N 0E9
TEL (604) 231 5892 WWW.STELLAGLASSHARDWARE.COM

**THERMALLY BROKEN PERIMETER CHANNELS
for SEALED GLASS UNITS UP TO 37mm THICK
SILL DETAIL - FACE MOUNTED**

REV.	DATE	DESCRIPTION	DRAWN BY	CHECKED BY
1	2014-04-07	INITIAL RELEASE	RL	RL
2	2021-02-17	FINISH INFORMATION UPDATED	VK	AS

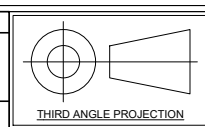
ITEM	PART	DESCRIPTION	MATERIAL	FINISH	QTY.
1	PC-3710T S-A02	THERMALLY BROKEN PERIMETER CHANNELS - FACE MOUNTED	ALUMINUM 6063-T6	CLEAR ANODIZED	-



SUBJECT TO CHANGE BY PROJECT

- Notes:**
1. Other finishes available upon request

CUSTOMER APPROVAL
SIGNATURE: _____
DATE: _____



THERMALLY BROKEN PERIMETER CHANNELS
for SEALED GLASS UNITS UP TO 37mm THICK
HEAD DETAIL - FACE MOUNTED

SCALE
1:1
DWG No
PC-3710TS-A02

UNIT 105-8218 NORTH FRASER WAY, BURNABY, BC, V3N 0E9
TEL (604) 231 5892 WWW.STELLAGLASSHARDWARE.COM