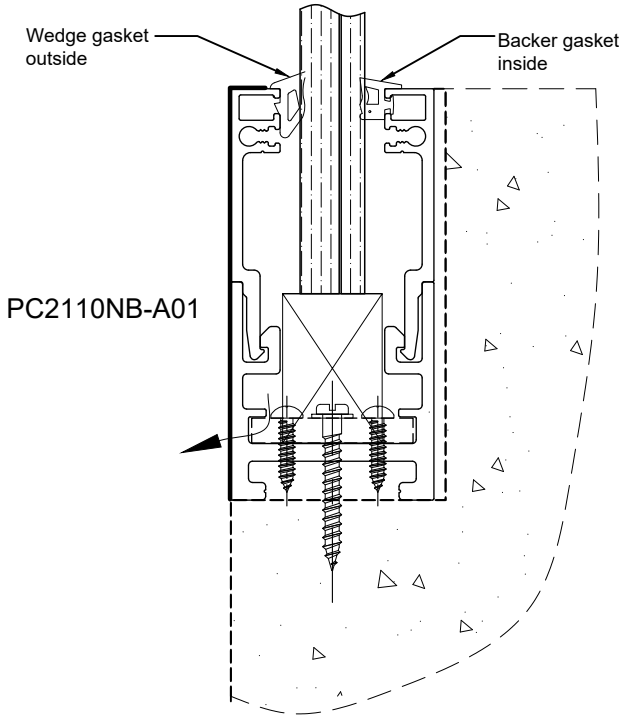


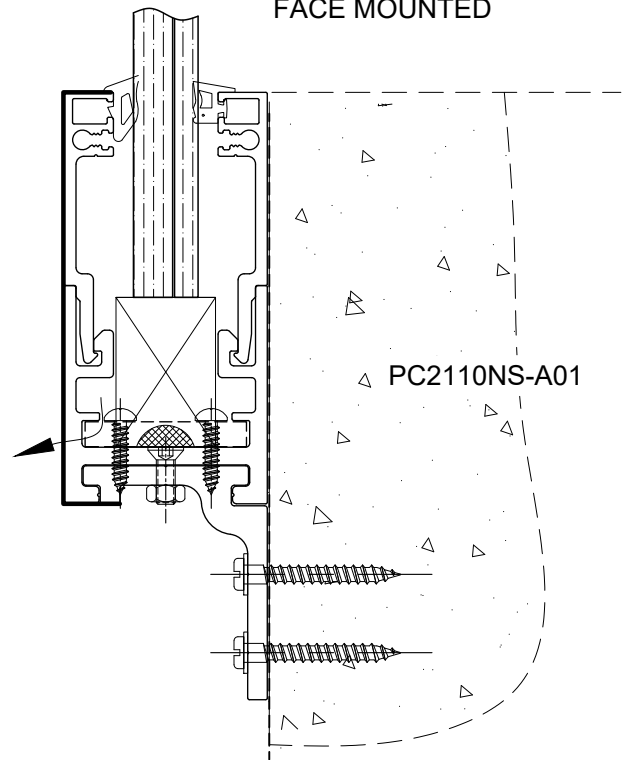
REV.	DATE	DESCRIPTION	DRAWN BY	CHECKED BY
0	2013-09-04	Drawing Release	RL	
1	2021-02-17	Material Information Updated	VK	AS

ITEM	PART	DESCRIPTION	MATERIAL	FINISH	QTY.
1	PC-2110	PERIMETER CHANNELS SERIES	ALUMINUM 6063 - T6	CLEAR ANODIZED	-

BOTTOM MOUNTED

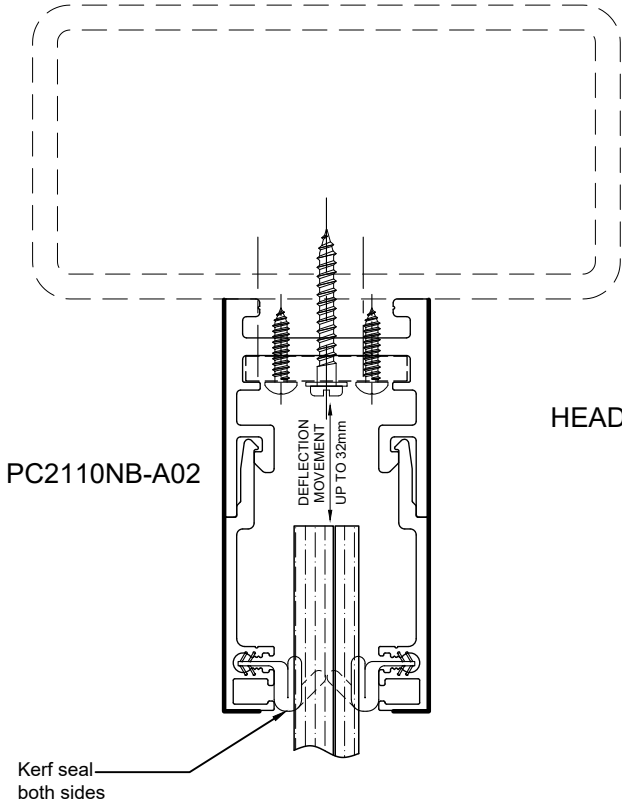


FACE MOUNTED

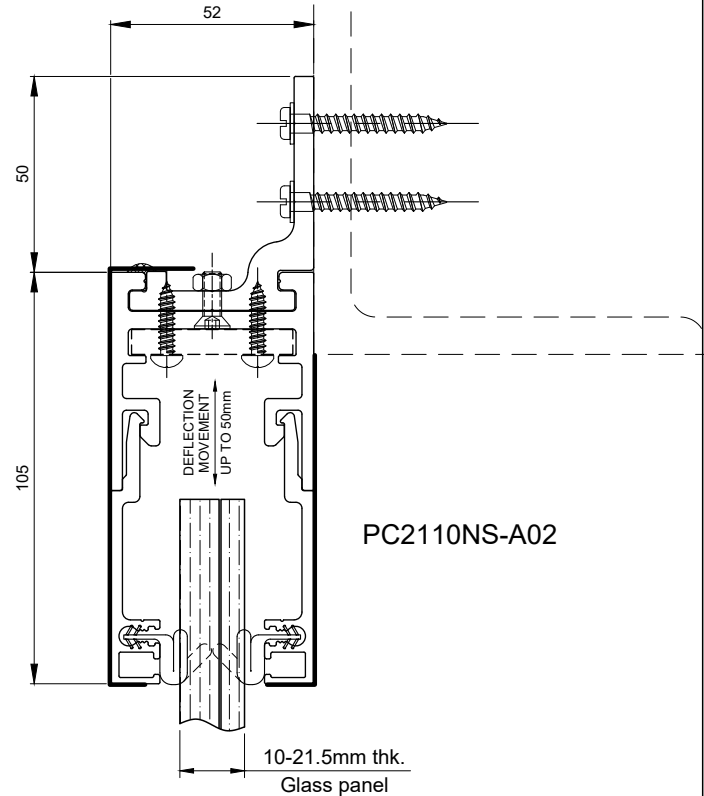


SILL DETAILS

TOP MOUNTED



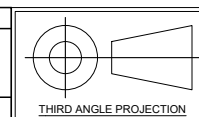
FACE MOUNTED



HEAD DETAILS

Notes:
1. Other finishes available upon request

CUSTOMER APPROVAL
SIGNATURE: _____
DATE: _____



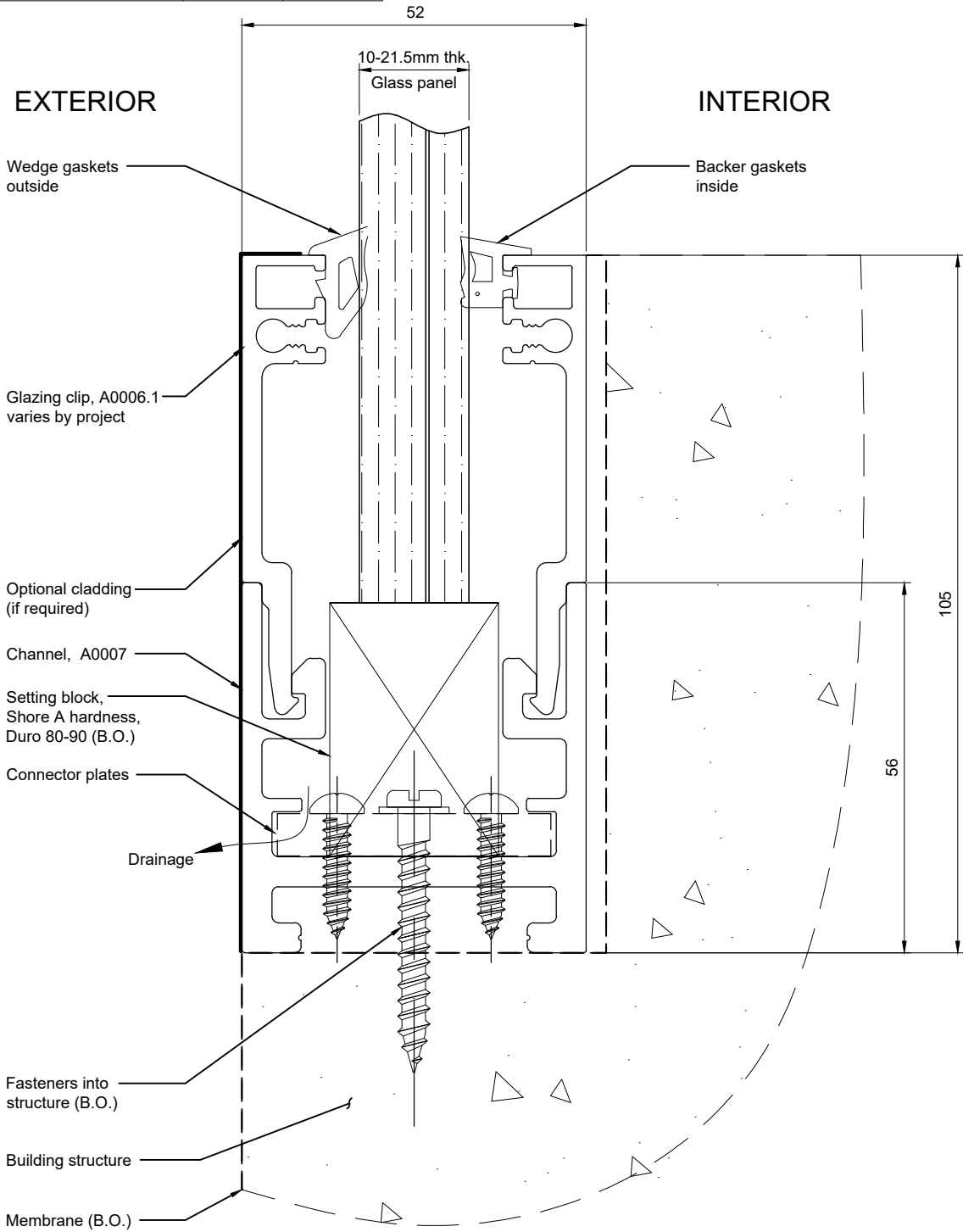
PERIMETER CHANNELS
for MONOLITHIC OR LAMINATED GLASS UP TO 21.5mm THICK
PC-2110 SERIES

SCALE
1:2
DWG No
PC-2110 SERIES

UNIT 105-8218 NORTH FRASER WAY, BURNABY, BC, V3N 0E9
TEL (604) 231 5892 WWW.STELLAGLASSHARDWARE.COM

REV.	DATE	DESCRIPTION	DRAWN BY	CHECKED BY
0	2013-09-04	Drawing Release	RL	
1	2021-02-17	Material Information Updated	VK	AS

ITEM	PART	DESCRIPTION	MATERIAL	FINISH	QTY.
1	PC2110NB-A01	PERIMETER CHANNEL - BOTTOM MOUNTED	ALUMINUM 6063 - T6	CLEAR ANODIZED	-



SUBJECT TO CHANGE BY PROJECT

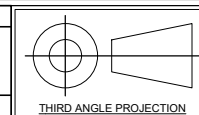
Notes:

1. Other finishes available upon request

For Cast Part: Tolerances (ISO 8062-CT6), (mm) Unless Specified Otherwise									
NOM. DIMENSION	0 TO 10	10 TO 16	16 TO 25	25 TO 40	40 TO 63	63 TO 100	100 TO 160	160 TO 250	250 TO 400
TOLERANCE	±0.26	±0.27	±0.29	±0.32	±0.35	±0.39	±0.44	±0.50	±0.55
CASTING ANGLE TOLERANCE: ±0.5°									

CUSTOMER APPROVAL
SIGNATURE:

DATE:



SCALE
1:1
DWG No
PC2110NB-A01

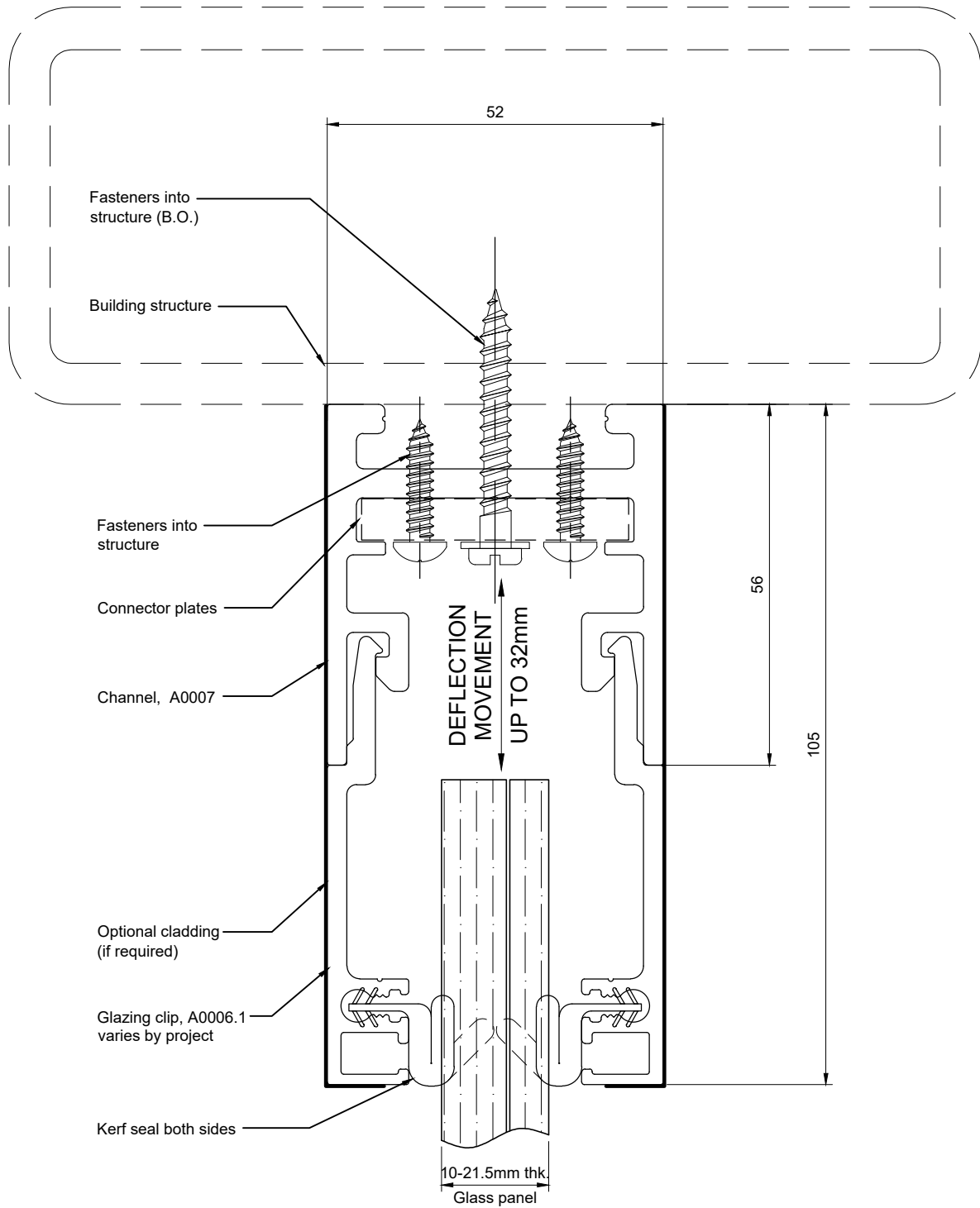


UNIT 105-8218 NORTH FRASER WAY, BURNABY, BC, V3N 0E9
TEL (604) 231 5892 WWW.STELLAGLASSHARDWARE.COM

**PERIMETER CHANNEL
for MONOLITHIC OR LAMINATED GLASS UP TO 21.5mm THICK
SILL DETAIL - BOTTOM MOUNTED**

REV.	DATE	DESCRIPTION	DRAWN BY	CHECKED BY
0	2013-09-04	Drawing Release	RL	
1	2021-02-17	Material Information Updated	VK	AS

ITEM	PART	DESCRIPTION	MATERIAL	FINISH	QTY.
1	PC-2110	PERIMETER CHANNELS SERIES	ALUMINUM 6063 - T6	CLEAR ANODIZED	-



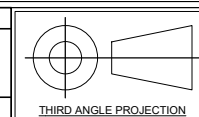
For Cast Part: Tolerances (ISO 8062-CT6), (mm) Unless Specified Otherwise									
NOM. DIMENSION	0 TO 10	10 TO 16	16 TO 25	25 TO 40	40 TO 63	63 TO 100	100 TO 160	160 TO 250	250 TO 400
TOLERANCE	±0.26	±0.27	±0.29	±0.32	±0.35	±0.39	±0.44	±0.50	±0.55
CASTING ANGLE TOLERANCE: ±0.5°									

SUBJECT TO CHANGE BY PROJECT

Notes:

1. Other finishes available upon request

CUSTOMER APPROVAL
SIGNATURE: _____
DATE: _____

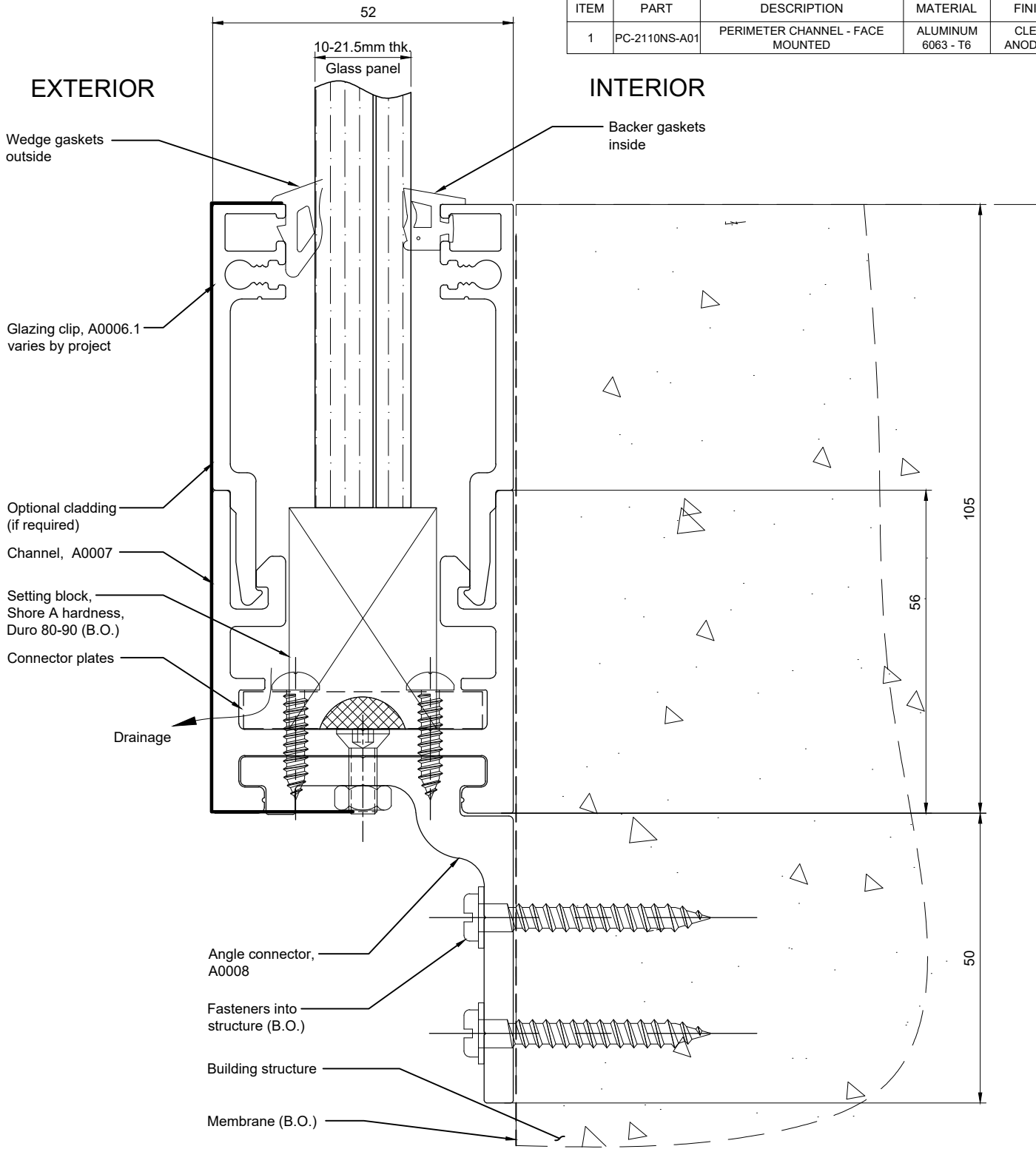


UNIT 105-8218 NORTH FRASER WAY, BURNABY, BC, V3N 0E9
TEL (604) 231 5892 WWW.STELLAGLASSHARDWARE.COM

PERIMETER CHANNEL
for MONOLITHIC OR LAMINATED GLASS UP TO 21.5mm THICK
HEAD DETAIL - TOP MOUNTED

SCALE
1:1
DWG No
PC-2110NB-A02

ITEM	PART	DESCRIPTION	MATERIAL	FINISH	QTY.
1	PC-2110NS-A01	PERIMETER CHANNEL - FACE MOUNTED	ALUMINUM 6063 - T6	CLEAR ANODIZED	-



SUBJECT TO CHANGE BY PROJECT

Notes:

1. Other finishes available upon request

For Cast Part: Tolerances (ISO 8062-CT6), (mm) Unless Specified Otherwise

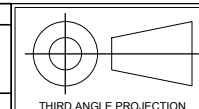
NOM. DIMENSION	0 TO 10	10 TO 16	16 TO 25	25 TO 40	40 TO 63	63 TO 100	100 TO 160	160 TO 250	250 TO 400
TOLERANCE	±0.26	±0.27	±0.29	±0.32	±0.35	±0.39	±0.44	±0.50	±0.55

CASTING ANGLE TOLERANCE: ±0.5°

REV.	DATE	DESCRIPTION	DRAWN BY	CHECKED BY
0	2013-09-04	Drawing Release	RL	
1	2021-02-17	Material Information Updated	VK	AS

CUSTOMER APPROVAL
SIGNATURE:

DATE:



THIRD ANGLE PROJECTION
SCALE
1:1
DWG No
PC-2110NS-A01

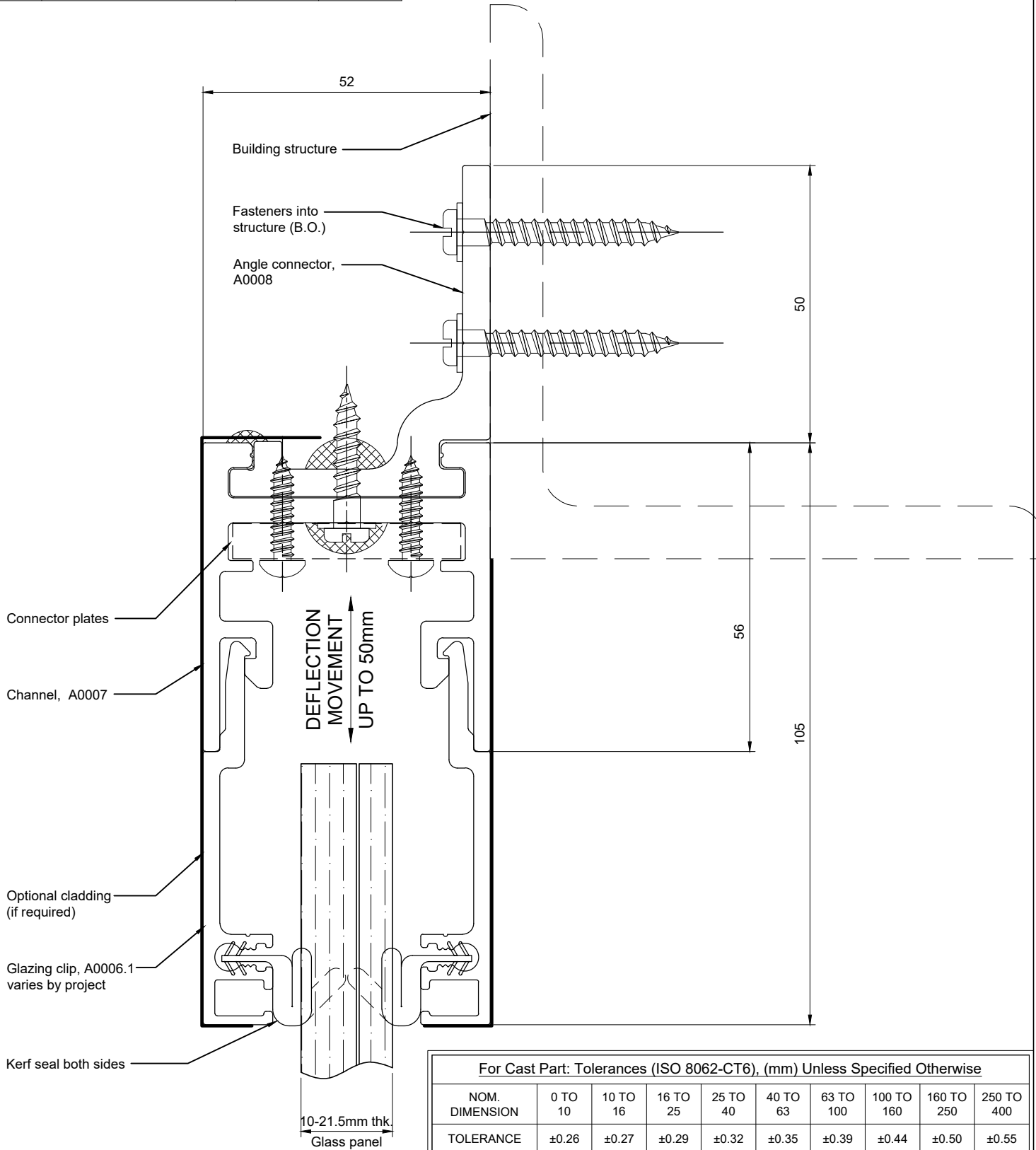


UNIT 105-8218 NORTH FRASER WAY, BURNABY, BC, V3N 0E9
TEL (604) 231 5892 WWW.STELLAGLASSHARDWARE.COM

**PERIMETER CHANNEL
for MONOLITHIC OR LAMINATED GLASS UP TO 21.5mm THICK
SILL DETAIL - FACE MOUNTED**

REV.	DATE	DESCRIPTION	DRAWN BY	CHECKED BY
0	2013-09-04	Drawing Release	RL	
1	2021-02-17	Material Information Updated	VK	AS

ITEM	PART	DESCRIPTION	MATERIAL	FINISH	QTY.
1	PC-2110	PERIMETER CHANNELS SERIES	ALUMINUM 6063 - T6	CLEAR ANODIZED	-



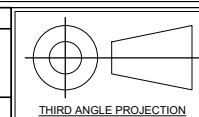
For Cast Part: Tolerances (ISO 8062-CT6), (mm) Unless Specified Otherwise									
NOM. DIMENSION	0 TO 10	10 TO 16	16 TO 25	25 TO 40	40 TO 63	63 TO 100	100 TO 160	160 TO 250	250 TO 400
TOLERANCE	±0.26	±0.27	±0.29	±0.32	±0.35	±0.39	±0.44	±0.50	±0.55
CASTING ANGLE TOLERANCE: ±0.5°									

SUBJECT TO CHANGE BY PROJECT

Notes:

- 1. Other finishes available upon request

CUSTOMER APPROVAL
SIGNATURE: _____
DATE: _____



SCALE
1:1
DWG No
PC-2110NS-A02



UNIT 105-8218 NORTH FRASER WAY, BURNABY, BC, V3N 0E9
TEL (604) 231 5892 WWW.STELLAGLASSHARDWARE.COM

PERIMETER CHANNEL
for MONOLITHIC OR LAMINATED GLASS UP TO 21.5mm THICK
HEAD DETAIL - FACE MOUNTED