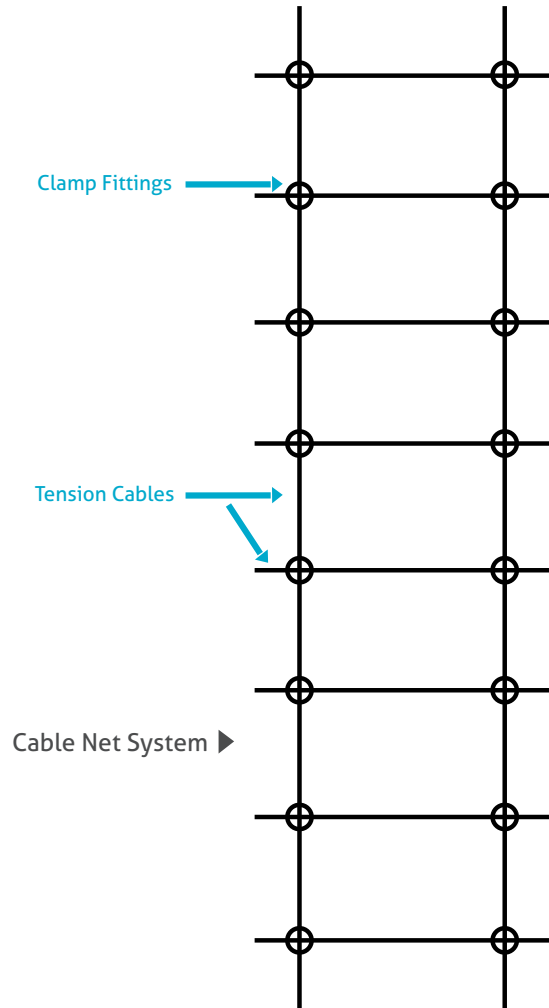


CABLE NET SYSTEM

This is a minimalistic system with very low visual impact by the glass supports.

System Details

- Cables span the opening, either vertically, horizontally, or both.
- Clips attached to the intersections of the cables support the glass at the corners.
- This system acts like a tennis racquet in that there is a lot of in/out movement when exposed to wind loads.
- The surrounding structure needs to be capable of resisting very high tensile loads from the cables.



Cable Net System

