

BOW TRUSS

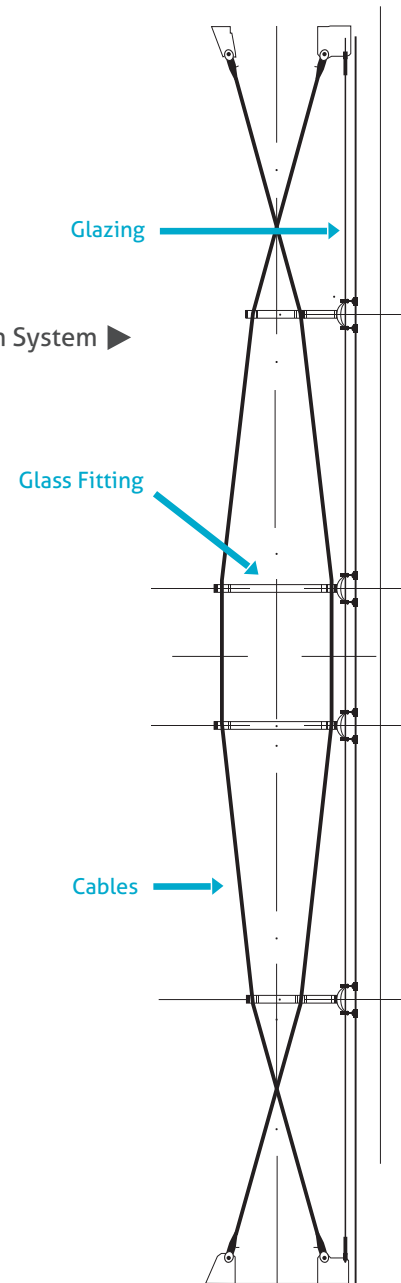
CABLE TENSION SUPPORT

This system provides a slender yet high tech solution and it's often seen in commercial building lobbies.

System Details

- The system relies on tensile forces being transferred from the stainless steel cables to the structure above and below.
- Two cables follow a parabolic shape to resist wind loads.
- A discrete cable extends down, just inside the face of the glass to carry the dead load of the glass.
- Glass is generally supported on spiders with articulating bolts.

Bow Cable Tension System ▶



Centrium Place Bow Cable System (Calgary, AB)

