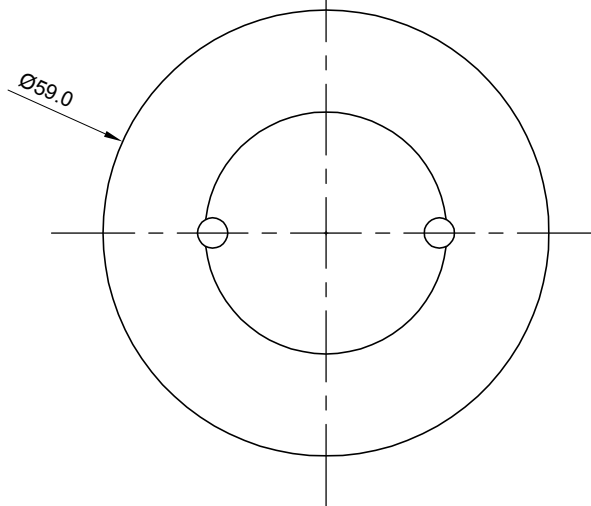
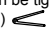


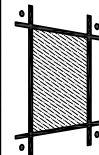
Hole in glass
 min. Ø22.2mm [Ø7/8"]
 recommend Ø25.4mm [Ø1"]
 max. Ø28.6mm [Ø1 1/8"]



Quantity: Sets
 Material: Grade 304/316 Stainless steel
 Finish: Machined

Hole in glass see above
 Dimensions millimeter unless otherwise shown
 Loctite all threads during final assembly
 4mm hole can be tighten w/ adjustable pin spanner
 (Ref. SPA-01) 
 Subject to change

Drawn	Drawn date
RL	SEP 29-08
Checked	Checked date
Scale	Rev.
1:1	-
DWG No	
NB601T	



stella

[t] (604) 231 5892
 [f] (604) 231 5893
 [e] info@stellaglasshardware.com

ASSEMBLY DRAWING
NON-ARTICULATING BOLT NB2a
FORMALLY NB2a